

KJ COMTECH

This is still one of the most popular connector series, featuring a two stud bayonet coupling mechanism, which is particularly useful for frequently coupled and uncoupled RF connections with frequencies up to 4GHz.

Frequencies up to 4GHz

Series **TRUMPET 50Ω**



Microminiature Coaxial Connector

Technical Data

Material Data

Cable Connectors

Receptacles with Solder End

PCB Connectors

Adaptor within-Series

Microminiature Coaxial Connector

Description

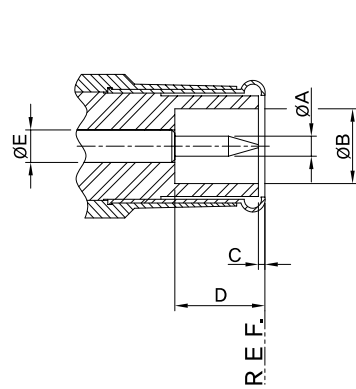
This is still one of the most popular connector series, featuring a two stud bayonet coupling mechanism, which is particularly useful for frequently coupled and uncoupled RF connections with frequencies up to 4GHz.

Contents

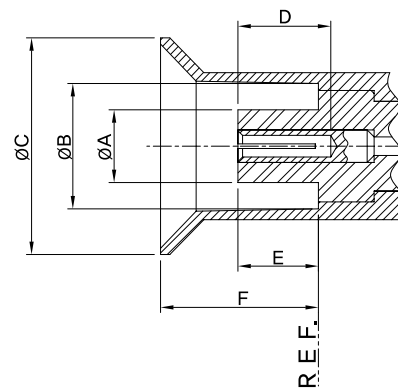
Microminiature Coaxial Connector	298
Technical Data	299
Material Data	299
Cable Connectors	300
Receptacles with Solder End	301
PCB Connectors	302
Adaptor within-Series	303

Interface Dimensions

Plug (Male)



Jack (Female)



Interface Dimensions in mm/inch

	Pulg (male)		Jack (Female)	
	Min.	Max.	Min.	Max.
A	1.98 / 0.078	-	-	4.72 / 0.186
B	4.83 / 0.190	-	8.10 / 0.319	8.15 / 0.321
C	0.08 / 0.003	-	-	14.00 / 0.551
D	5.28 / 0.208	5.79 / 0.228	4.95 / 0.195	-
E	2.06 / 0.081	2.21 / 0.087	4.78 / 0.188	5.28 / 0.208
F	-	-	8.31 / 0.327	8.51 / 0.335

Technical Data

Requirement

ELECTRICAL DATA

Impedance	50Ω
Frequency range	DC 4GHz
RF leakage (between 2 ÷ 3 GHz)	≥ 55 dB
Dielectric withstanding voltage (at sea level)	1.5 kV rms, 50 Hz
Working voltage (at sea level)	≤ 500 V rms, 50 Hz
Insulation resistance	≥ 5 · 10 ⁴ MΩ
Contact resistance	
- Center contacts	≤ 1.5 mΩ
- Outer contacts	≤ 1.0 mΩ

Specification

TEST REQUIREMENTS

MECHANICAL DATA

Coupling nut torque	7Ncm ~ 28Ncm / 0.6 in. lbs ~ 2.5 in. lbs
Coupling nut retention force	≥ 450 N / 101.2 in. lbs
Contact captivation	≥ 27 N / 6.1 lbs
Durability (matings)	≥ 500

TEST REQUIREMENTS

Material Data

Connector Part	Material		Plating
	Male	Female	
PIN	Brass	Beryllium-Copper	Gold
INSULATOR	PTFE	PTFE	-
BODIES	Brass	Brass	Nickel
JACK	Beryllium-Copper	-	Nickel
WASHER	Brass	Brass	Nickel
NUT	Brass	Brass	Nickel
BACK NUT	Brass	-	-
CRIMP FERRULE	Brass	Brass	-

Cable Connectors

● Straight Cable Plug(male) & Jacks(female)

For Semi-rigid cable
Cable entry Soldered

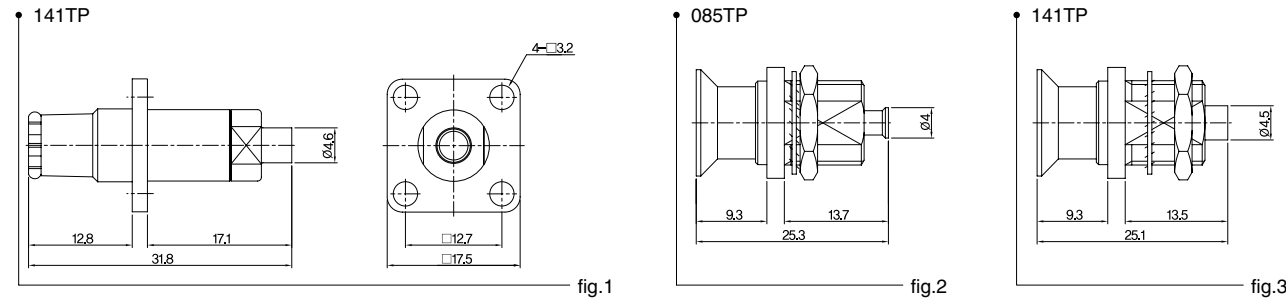


Fig	Type	Code		Cable Goup (example)	Plating			AS-In	Note
		Old Code	New Code		Pin	Body	Back Nut		
1	TRU50-P-H4-S-141	K325-007-000	CN4843S04-001-1/1	S04 141TP	Gold	Nickel	Nickel		
2	TRU50-J-BS-085	K325-344-001	CN4826S03-001-1/1	S03 085TP	Gold	Nickel	-		
3	TRU50-J-BS-141	K325-344-000	CN4826S04-001-1/1	S04 141TP	Gold	Nickel	-		

For flexible cable
Cable entry crimp

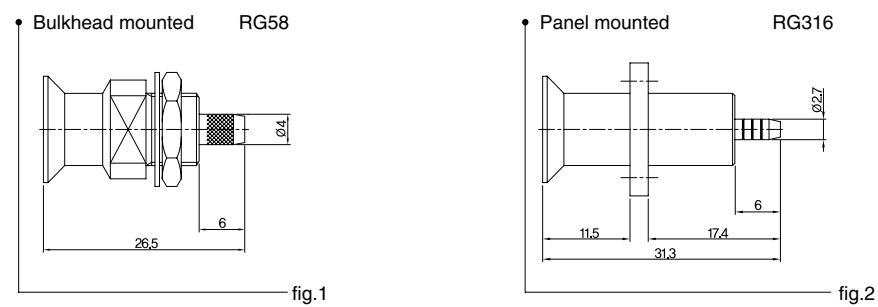


Fig	Type	Code		Cable Goup (example)	Plating		AS-In	Note
		Old Code	New Code		Pin	Body		
1	TRU50-J-BC-58	K325-348-000	CN4826X08-001-1/1	X08 RG58	Gold	Nickel		
2	TRU50-J-H4-C-316	K325-567-001	CN4844X02-001-1/1	X02 RG316	Gold	Nickel		

Receptacles with Solder End

● Receptacle Plug(male) & Jack(female)

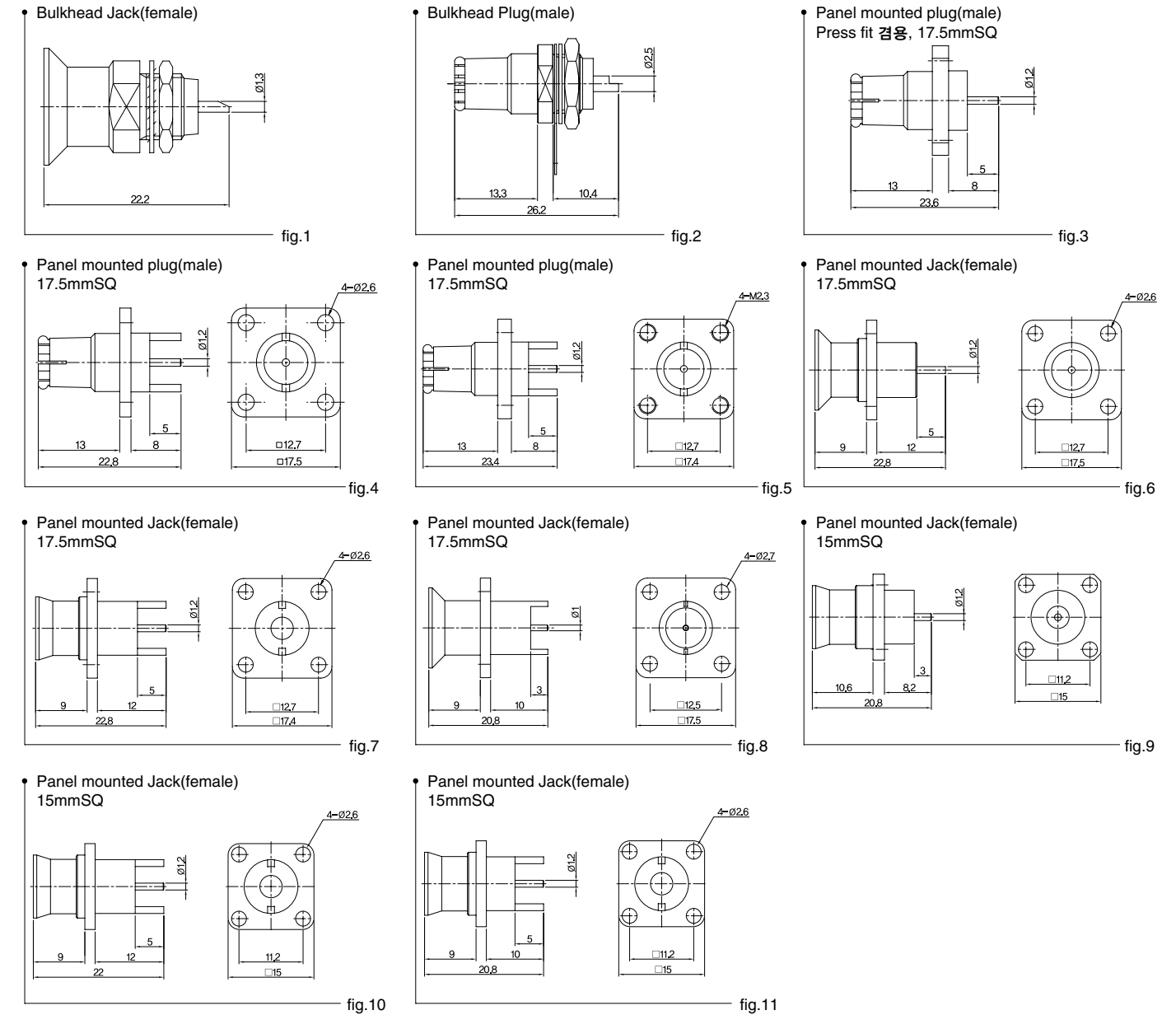


Fig	Type	Code		Plating		Mounting Hole	AS-In	Note
		Old Code	New Code	Pin	Body			
1	TRU50-J-BR	K325-567-000	CN4826000-001-1/1	Gold	Nickel	ML61		
2	TRU50-P-BR	K325-568-000	CN4823000-001-1/1	Gold	Nickel	ML47		
3	TRU50-P-H4-R	K325-480-000	CN4843000-001-1/1	Gold	Nickel	ML67		
4	TRU50-P-H4-2R-R	K325-480-001	CN4847000-001-1/1	Gold	Nickel	ML68 / 69		
5	TRU50-P-H4-2R-R	K325-480-002	CN4847000-002-1/1	Gold	Nickel	ML68 / 69		
6	TRU50-J-H4-R	K325-569-000	CN4844000-001-1/1	Gold	Nickel	ML70		
7	TRU50-J-H4-2R-R	K325-569-001	CN4848000-001-1/1	Gold	Nickel	ML68 / 69		
8	TRU50-J-H4-2R-R	K325-569-002	CN4848000-002-1/1	Gold	Nickel	ML71 / 72		
9	TRU50-J-H4-R	K325-569-008	CN4844000-002-1/1	Gold	Nickel	ML73		
10	TRU50-J-H4-2R-R	K325-569-003	CN4848000-004-1/1	Gold	Nickel	ML69 / 73		
11	TRU50-J4-2R-R	K325-569-007	CN4848000-003-1/1	Gold	Nickel	ML69 / 73		

PCB Connectors

● Right Angle PCB Jack(female)

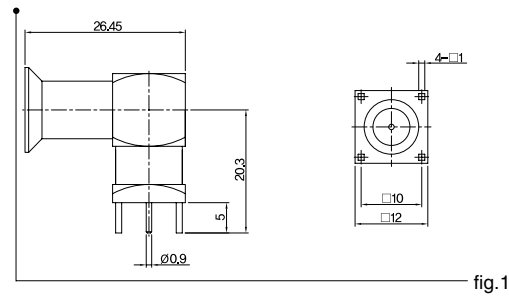


Fig	Type	Code		Plating			Mounting Hole	AS-In	Note
		Old Code	New Code	Pin	Body	Stopper Ring			
1	TRU50-4R-R	K325-677-000	CN4853000-001-1/1	Gold	Nickel	Nickel	ML52		

Adaptor within-Series

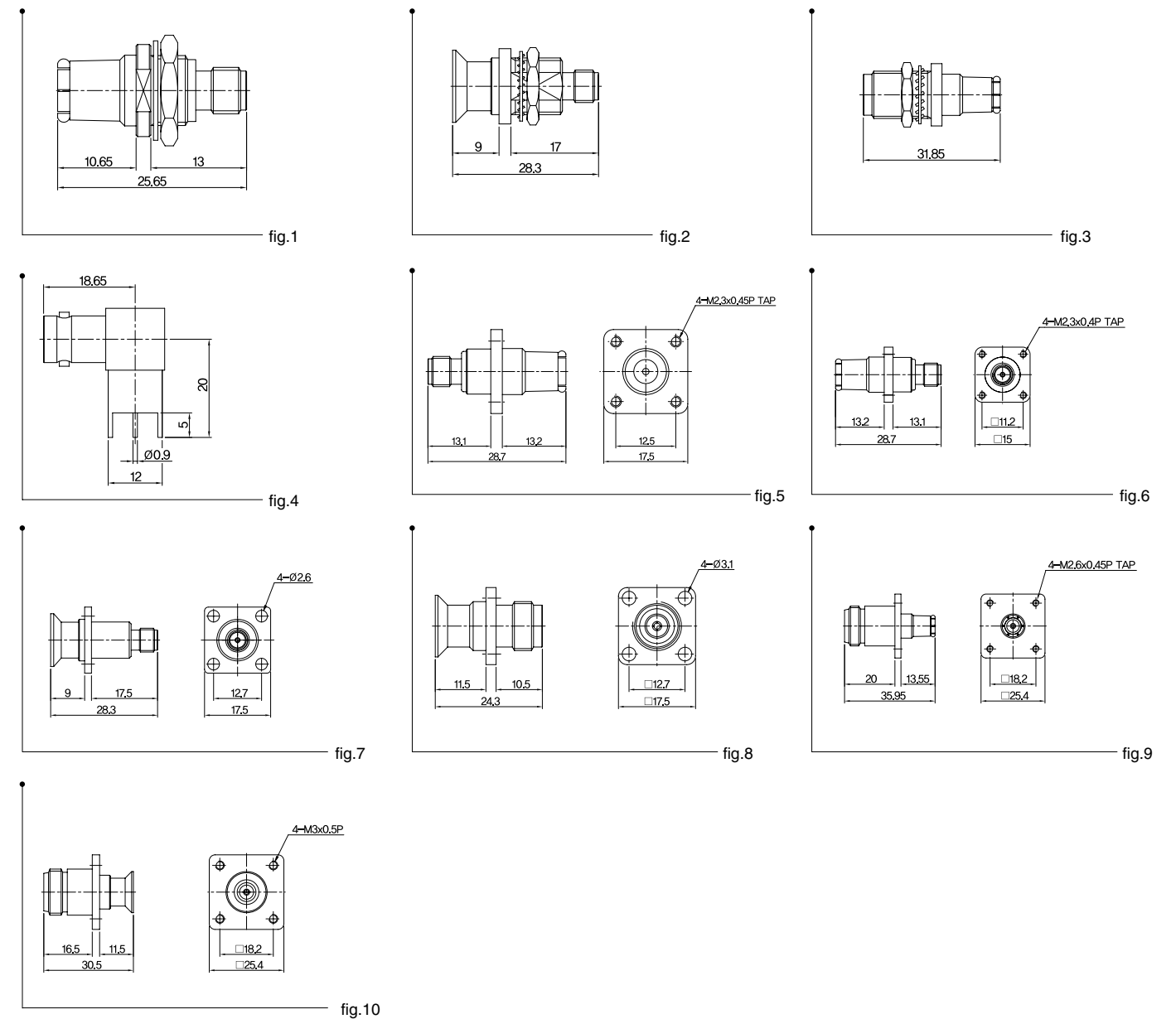


Fig	Type	Code		V.S.W.R	Plating		AS-In	Note
		Old Code	New Code		Pin	Body		
1	SMABJ-TRUP	K361-514-005	AD162448-001-1/1		Gold	Nickel		
2	SMABJ-TRUJ	K361-518-000	AD162248-001-1/1		Gold	Nickel		
3	TNCBJ-TRUP	K361-564-000	AD302448-001-1/1		Gold	Nickel		
4	TNCBJ-TRUJ	K361-563-000	AD302248-001-1/1		Gold	Nickel		
5	SMAJ-H4-TRUP	K361-514-004	AD164848-001-1/1		Gold	Nickel		
6	TRU50-J-H4-2R-R	K361-514-007	CN4848000-005-1/1		Gold	Nickel		
7	SMAJ-H4-TRUJ	K361-519-000	AD164648-001-1/1		Gold	Nickel		
8	TNCJ-H4-TRUJ	K361-562-000	AD304648-002-1/1		Gold	Nickel		
9	NJ-H4-TRUP	K361-571-001	AD344848-001-1/1		Gold	Nickel		
10	NJ-H4-TRUJ	K361-576-000	AD344648-001-1/1		Gold	Nickel		