

Connector meets the requirements of DIN 41626/1 and is specially designed for use in DIN 41612 type or D-Sub mixed card-edge connectors with RF and high voltage connectors.

The contacts are installed in the mounting holes by a simple snap-on method. An extracting tool is required for removal.

Straight connectors are available for cables with diameters from 1.7mm to 4.4mm and tight PCB connectors for currents up to 40A



Series Power

[Microminiature Coaxial Connector](#)

[Technical Data](#)

[Material Data](#)

[Cable Connector](#)

[PCB Connectors](#)

Microminiature Coaxial Connector

● **Description**

Connector meets the requirements of DIN 41626/1 and is specially designed for use in DIN 41612 type or D-Sub mixed card-edge connectors with RF and high voltage connectors.

The contacts are installed in the mounting holes by a simple snap-on method. An extracting tool is required for removal.

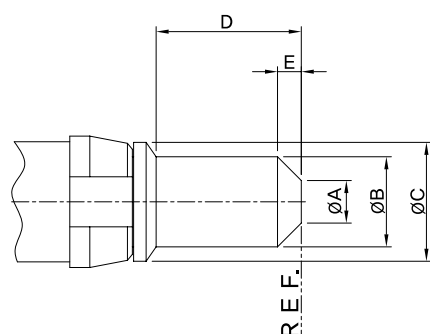
Straight connectors are available for cables with diameters from 1.7mm to 4.4mm and tight PCB connectors for currents up to 40A

● **Contents**

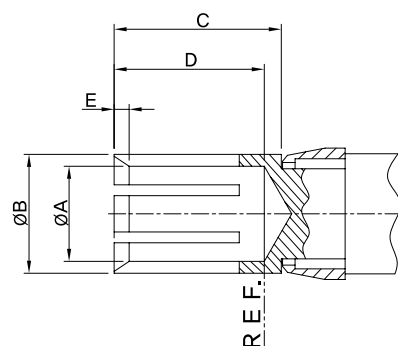
Microminiature Coaxial Connector	354
Technical Data	355
Material Data	355
Cable Connector	356
PCB Connectors	358

● **Interface Dimensions**

Plug (Male)



Jack (Female)



● **Interface Dimensions in mm/inch**

	Plug (male)		Jack (Female)	
	Min.	Max.	Min.	Max.
A	1.00 / 0.039	1.60 / 0.063	8.03 / 0.316	8.13 / 0.320
B	3.55 / 0.140	3.60 / 0.142	4.75 / 0.187	5.26 / 0.207
C	-	4.76 / 0.187	5.33 / 0.210	2.00 / 0.079
D	6.40 / 0.252	6.50 / 0.256	5.33 / 0.210	15.93 / 0.627
E	1.00 / 0.039	1.05 / 0.041	5.33 / 0.210	5.33 / 0.210

Technical Data

Requirement

● **ELECTRICAL DATA**

Contact resistance	
	Center contact
Max. Contact current	

Specification

● **TEST REQUIREMENTS**

	Initial	Afer
	1.0Ω	2.0Ω
	40 A DC	

● **MECHANICAL DATA**

Engagement force	
Separation force	
Life time	industrial type
	militari type

● **TEST REQUIREMENTS**

10N
5.5N
250 matings
500 matings

Material Data

Connector Part	Material		Plating
	Male	Female	
BODIES	Brass	Brass	Gold
RING	Beryllium-Copper	Beryllium-Copper	Gold

Cable Connectors

● Straight Cable Plugs (male)

Cable entry soldered

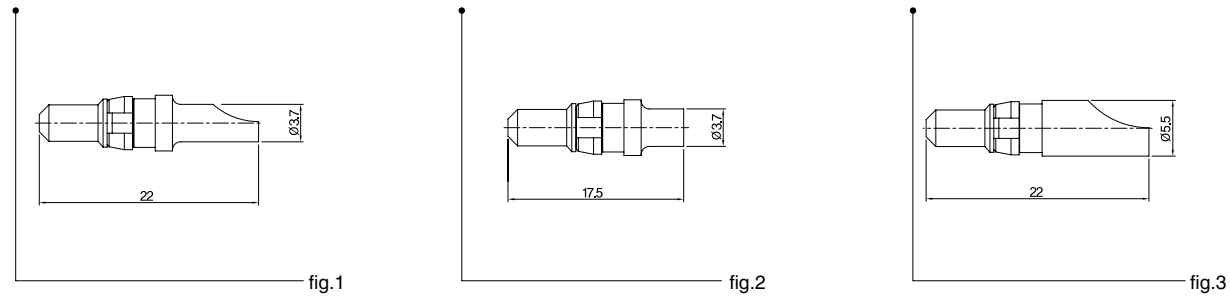


Fig	Type	Code		Plating		AS-In	Note
		Old Code	New Code	Body	Ring		
1	POWER-PS-2.8	K385-628-000	CN4311P04-001-1/1	Gold	Nickel		Ø2.8
2	POWER-PS-2.8	K385-628-001	CN4311P04-002-1/1	Gold	Nickel		Ø2.8 , Short
3	POWER-PS-4.8	K385-645-000	CN4311P05-001-1/1	Gold	Nickel		Ø4.8

Cable entry crimp

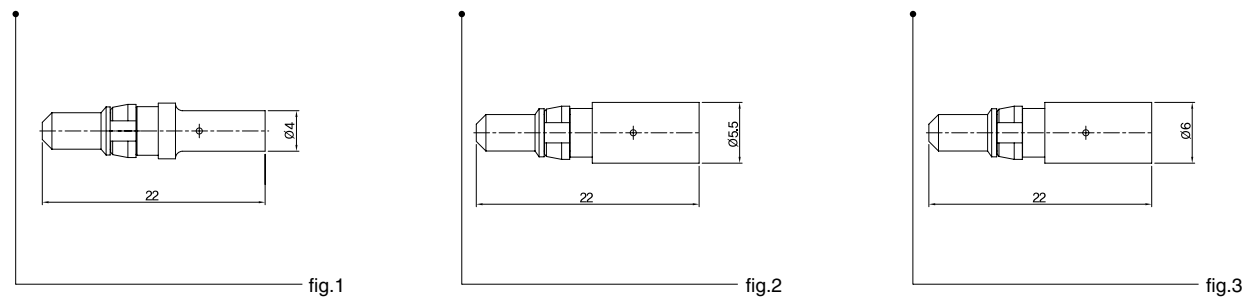


Fig	Type	Code		Plating		AS-In	Note
		Old Code	New Code	Body	Ring		
1	POWER-PC-3.5	K385-627-000	CN4311P02-001-1/1	Gold	Nickel		Ø3.5
2	POWER-PC-5.0	K385-626-000	CN4311P02-002-1/1	Gold	Nickel		Ø5.0
3	POWER-PC-5.5	K385-625-000	CN4311P01-001-1/1	Gold	Nickel		Ø5.5

● Straight Cable Jacks (female)

Cable entry soldered

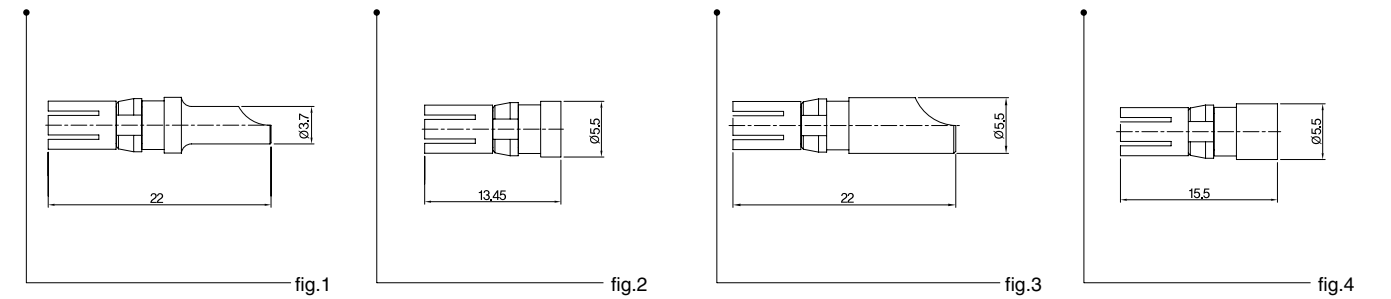


Fig	Type	Code		Plating		AS-In	Note
		Old Code	New Code	Body	Ring		
1	POWER-JC-2.8	K385-728-000	CN4312P04-001-1/1	Gold	Nickel		Ø2.8
2	POWER-JC-3.0	K385-728-001	CN4312P06-001-1/1	Gold	Nickel		Ø3.0 , Short
3	POWER-JS-4.8	K385-729-000	CN4312P05-001-1/1	Gold	Nickel		Ø4.8
4	POWER-JS-4.8	K385-729-001	CN4312P05-002-1/1	Gold	Nickel		Ø4.8 , Short

Cable entry crimp

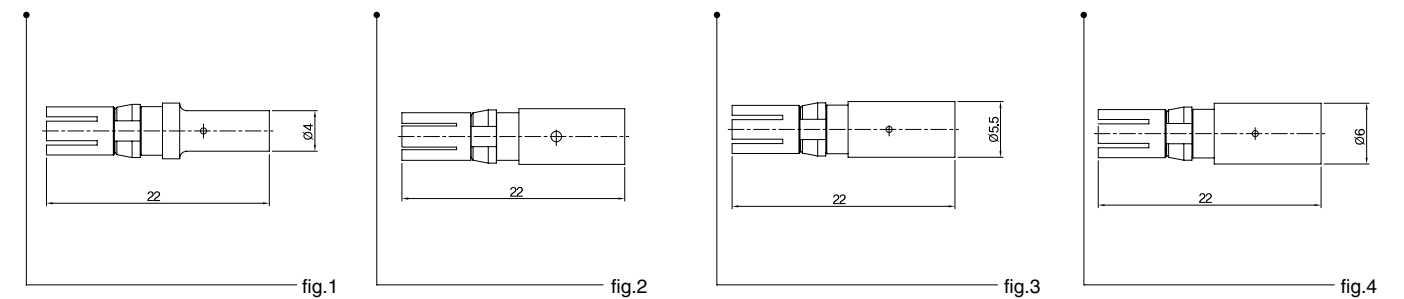


Fig	Type	Code		Plating		AS-In	Note
		Old Code	New Code	Body	Ring		
1	POWER-JC-3.5	K385-727-000	CN4312P03-001-1/1	Gold	Nickel		Ø3.5
2	POWER-JC-4.8	K385-749-000	CN4312P05-003-1/1	Gold	Nickel		Ø4.8
3	POWER-JC-5.0	K385-726-000	CN4312P02-001-1/1	Gold	Nickel		Ø5.0
4	POWER-JC-5.5	K385-725-000	CN4312P01-001-1/1	Gold	Nickel		Ø5.5

PCB Connectors

● Right Angle PCB Plug(male) & Jack(female)

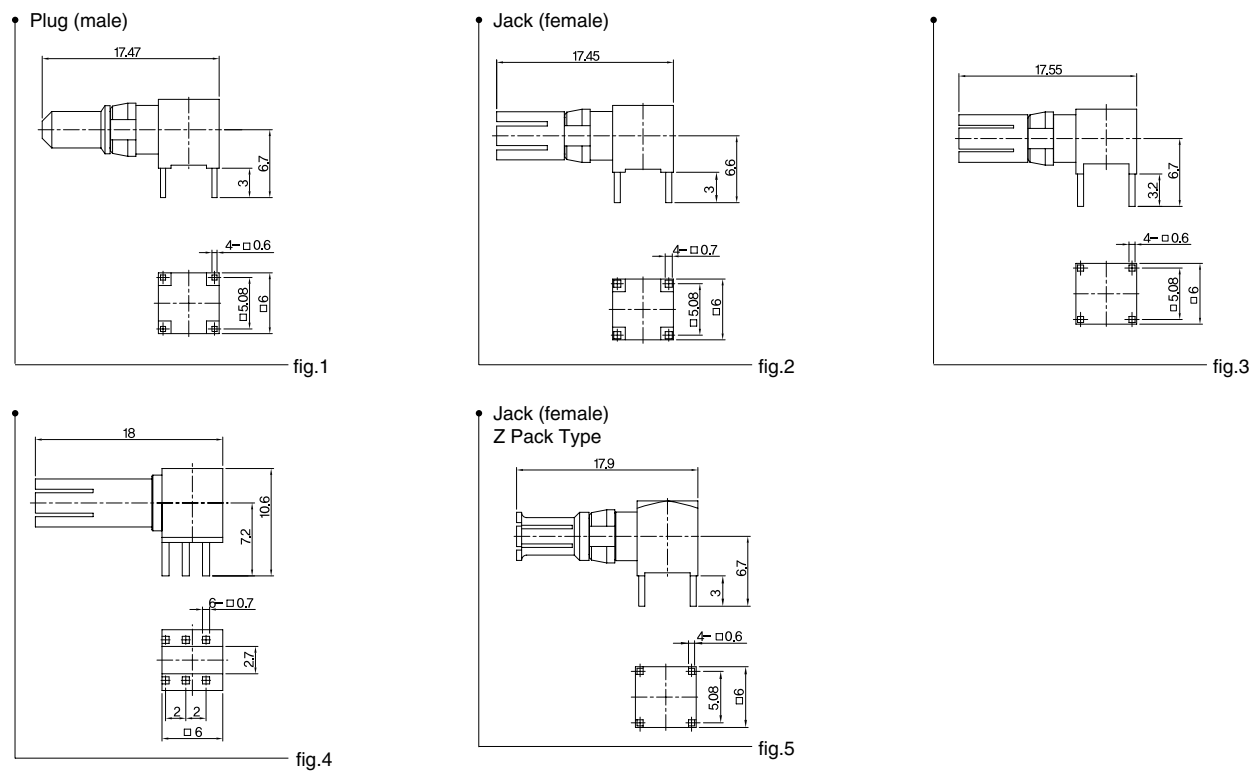


Fig	Type	Code		Plating		Mounting Hole	AS-In	Note
		Old Code	New Code	Body	Ring			
1	POWER-LP-4R	K385-934-003	CN4355000-001-1/1	Gold	Nickel	ML95		
2	POWER-LJ-4R	K385-928-004	CN4353000-003-1/1	Gold	Nickel	ML96		
3	POWER-LJ-4R	K385-630-000	CN4353000-001-1/1	Gold	Nickel	ML95		
4	POWER-LJ-6R	K385-730-000	CN435C000-001-1/1	Gold	-	ML97		
5	POWER-LJ-4R	K385-928-001	CN4353000-002-1/1	Gold	Nickel	ML95		Mini Type

● PCB Board Mount

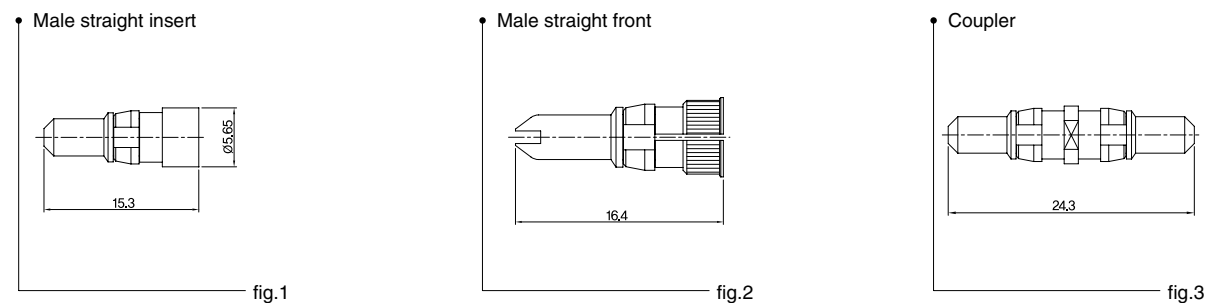


Fig	Type	Code		Plating		AS-In	Note
		Old Code	New Code	Body	Ring		
1	POWER-PS-4.8	K385-834-000	CN4311P05-002-1/1	Gold	Nickel		
2	POWER-P-BACK BOARD	K385-731-000	CN4311000-001-1/1	Gold	Nickel		Back Board Type
3	POWER-A-PP	K385-828-000	AD4311-001-1/1	Gold	Nickel		

