

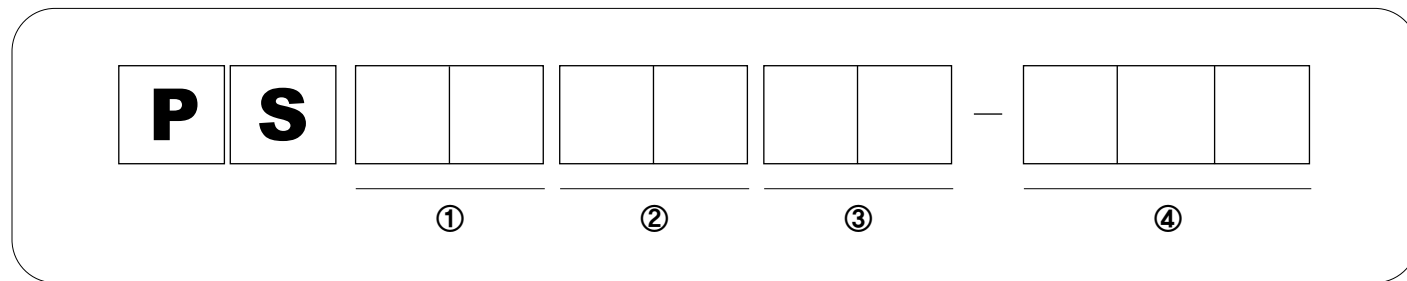
# POWER SPLITTER



- Product Code System
- Customer Inquiry Form
- Products Reference Table
- Power Splitter (N)
- Power Splitter (DIN)
- Power Splitter (N, DIN)



## Product Code System



### 1. Number of Way

CODE	Way
W2	2
W3	3
W4	4
W5	5
W6	6
W7	7
W8	8
W9	9
WA	10
WB	11
WC	12
.	.

### 2. Operating Frequency

CODE	Operating Frequency (MHz)
A1	DC ~ 500
B1	500 ~ 700
C1	700 ~ 1000
D1	1000 ~ 1700
E1	1700 ~ 1900
F1	1900 ~ 2200
G1	2200 ~ 2400
H1	2400 ~ 3000
I1	3000 ~ 6000
J1	6000 ~ 15000
K1	15000 ~ 30000
L1	30000 ~

Wideband Frequency Range will be defined using the first character of the start and the stop frequency bands.  
Ex) EF = 1700 ~ 2200 (MHz)

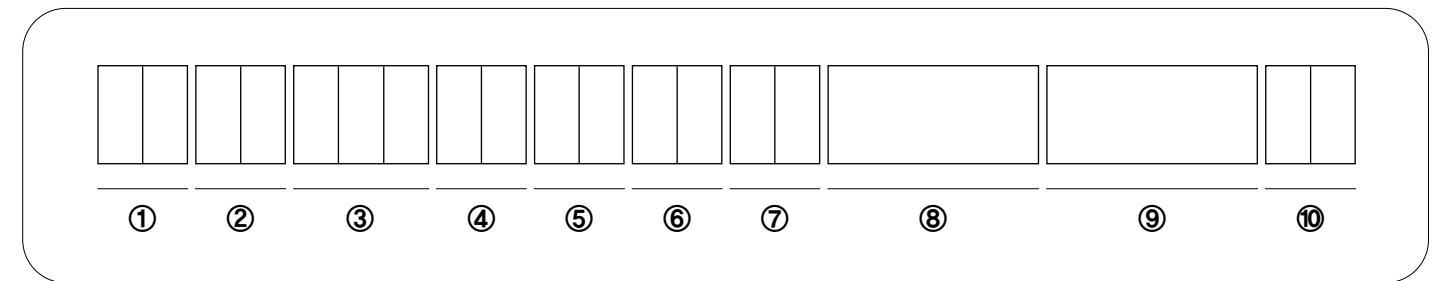
### 3. Input Connector Type

CODE	Input Connector Type
16	SMA50
17	SMA75
28	BNC50
29	BNC75
30	TNC50
31	TNC75
34	N50
35	N75
37	7/16 DIN
XX	Others

### 4. Serial Number

CODE	Serial Number
nnn	Any combination of Option Codes will be replaced by 3 digits Serial Number according to the development sequence for each model.

## Product Code System



### 1. Output Connector Type

CODE	Output Connector Type
16	SMA50
17	SMA75
28	BNC50
29	BNC75
30	TNC50
31	TNC75
34	N50
35	N75
37	7/16 DIN
XX	Others

### 2. I/O Port Type

CODE	I/O Port Type
FF	Female - Female
MM	Male - Male
FM	Female - Male
MF	Male - Female

### 3. Input Power

CODE	Input Power (watt)
000	1 (min)
001	1
002	2
003	3
.	.
010	10
.	.
100	100
.	.
200	200
.	.

### 4. Surface

CODE	Surface
CW	Chromate (White)
CY	Chromate (Yellow)
ES	Epoxy (Silver)
EG	Epoxy (Gold)
LP	Liquid Painting
PC	Power Coating
AG	Silver Plating
NI	Nickel Plating
SU	SUCO Plating

### 5. Impedance

CODE	Impedance
50	50 Ohms
75	75 Ohms

### 6. I/O Port Direction

CODE	I/O Port Direction
00	Same Side
01	Opposite Side

### 7. Power Split

CODE	Power Split
10	Unequal
11	Equal

### 8. Start Frequency

CODE	Start Frequency
.	.
10M	10MHz
.	.
824M	824MHz
.	.
2200M	2200MHz
.	.

### 9. Stop Frequency

CODE	Stop Frequency
.	.
10M	10MHz
.	.
824M	824MHz
.	.
2200M	2200MHz
.	.

### 10. Degree

CODE	Degree
00	0°
09	90°
18	180°
XX	Others

## Customer Inquiry Form

### 1. Customer Information

Author Name	
Company	
Phone	
Fax	
E-mail	

### 2. Electrical Specifications

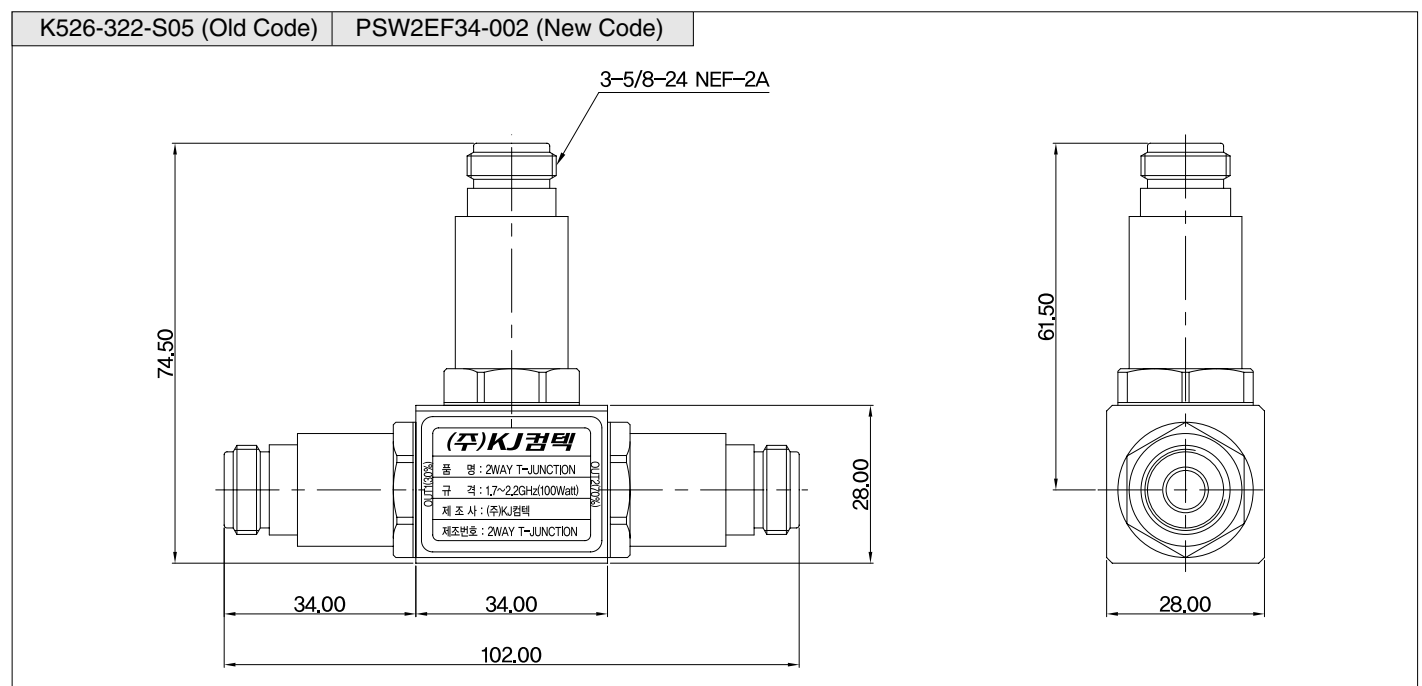
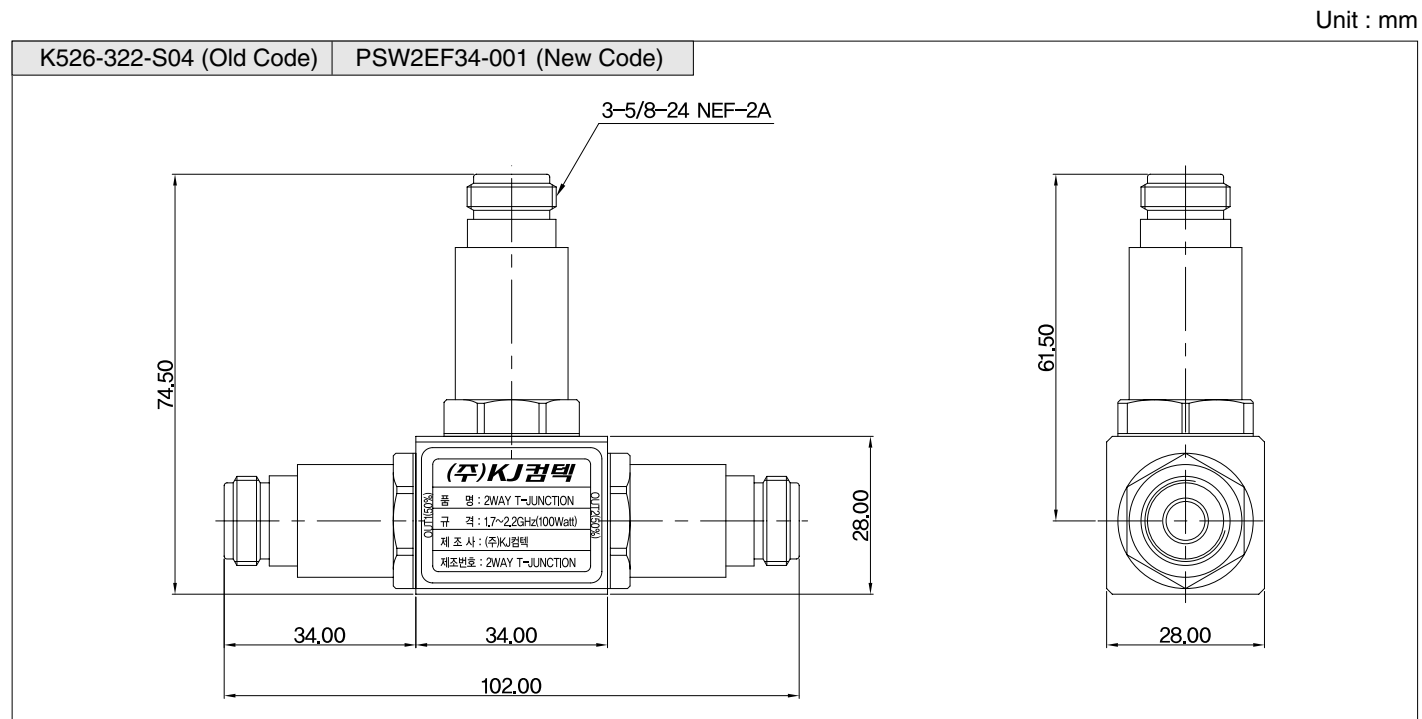
Frequency Range	
Number of Way	
Insertion Loss (max)	
V.S.W.R (max)	
Impedance	
Input Power (max)	
Port Connectors (IN/OUT)	
Surface Painting/Plating	

### 3. Other Information

## Products Reference Table

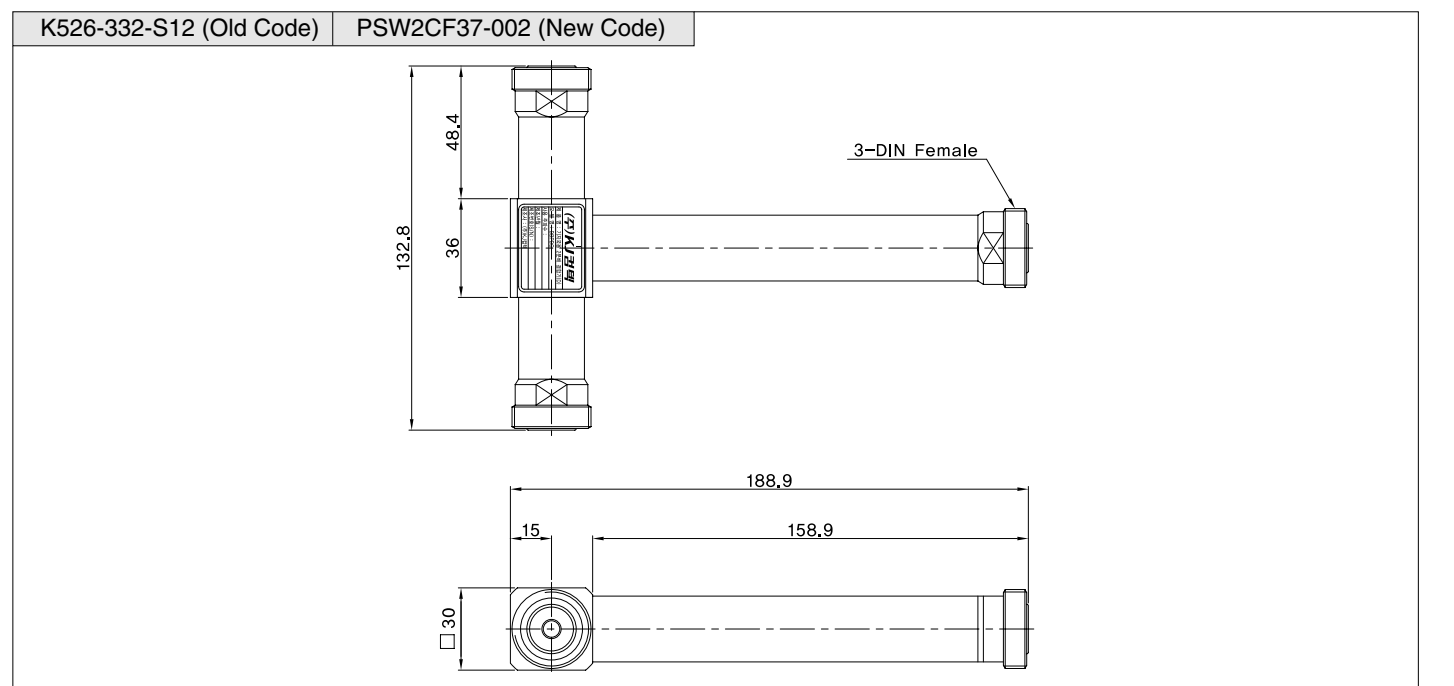
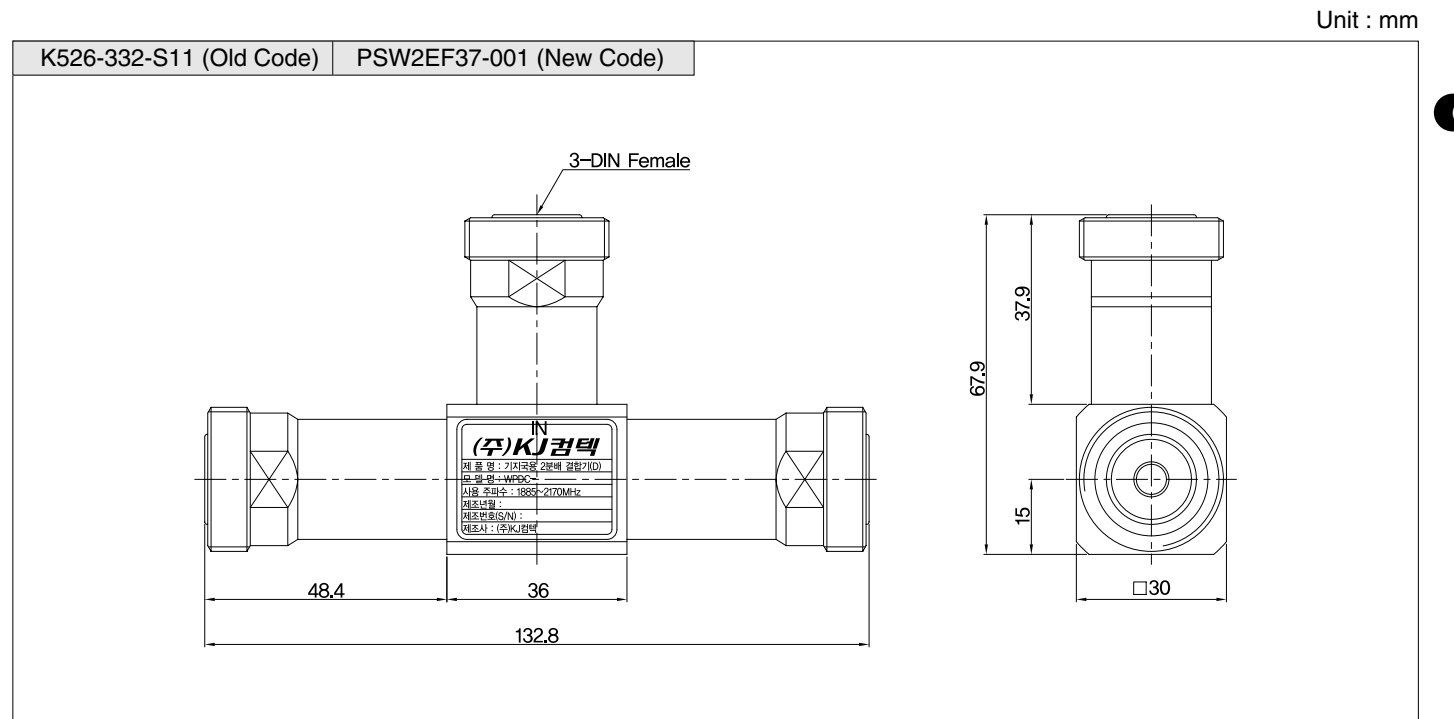
Product Code (Old)	Product Code (New)	Frequency Range (MHz)	Way	Connector Type
K526-322-S04	PSW2EF34-001	1770 ~ 2130	2	N
K526-322-S05	PSW2EF34-002	1770 ~ 2130	2	N
K526-332-S11	PSW2EF37-001	1885 ~ 2170	2	DIN
K526-332-S12	PSW2CF37-002	824 ~ 894, 1885 ~ 2170	2	DIN
K526-333-S09	PSW3EF37-001	1885 ~ 2170	3	DIN
K526-333-S10	PSW3CF37-001	824 ~ 894, 1885 ~ 2170	3	DIN
K526-324-S01	PSW4CH34-002	824 ~ 894, 1885 ~ 2170, 2300 ~ 2400, 2630 ~ 2655	4	N
K526-334-S01	PSW4H137-001	2630 ~ 2655	4	DIN

## Power Splitter (N)



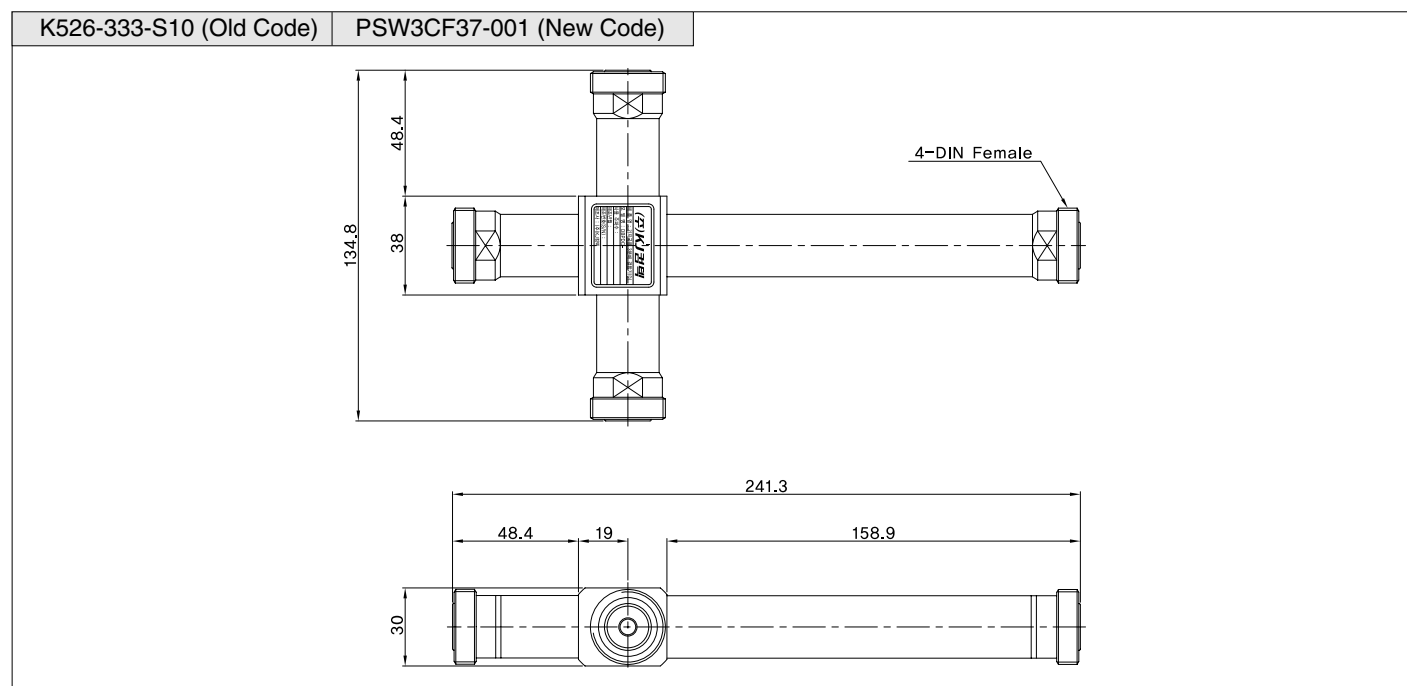
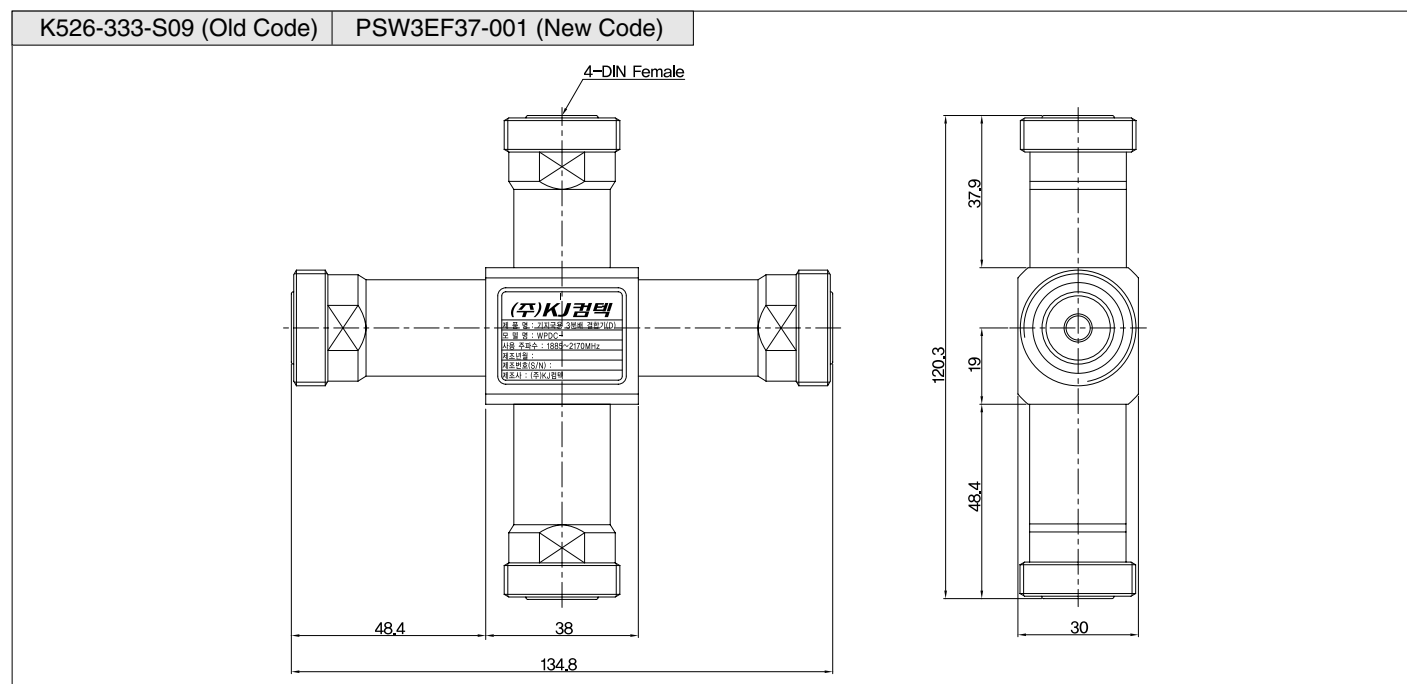
Product Code (Old)	K526-322-S04	K526-322-S05
Product Code (New)	PSW2EF34-001	PSW2EF34-002
Frequency Range (MHz)	1770 ~ 2130	1770 ~ 2130
Number of Way	2	2
Insertion Loss (max)	3.30 dB	5.7/2.0 dB
VSWR (max)	1.20 : 1	1.20 : 1
Impedance	50Ω	50Ω
Input Power (max)	100 W	100 W
Temperature Range	-30°C ~ +60°C	-30°C ~ +60°C
Port Connector (IN/OUT)	N (F)	N (F)

## Power Splitter (DIN)



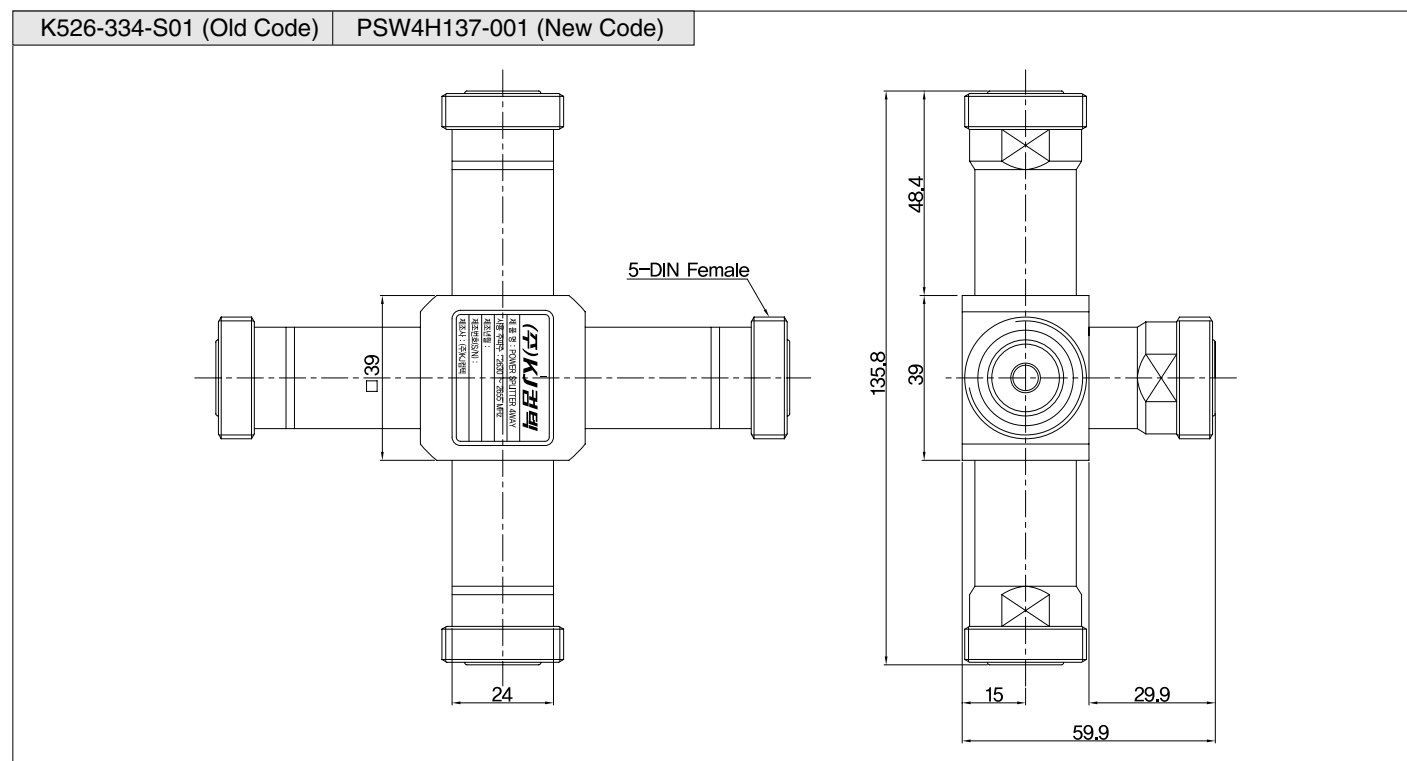
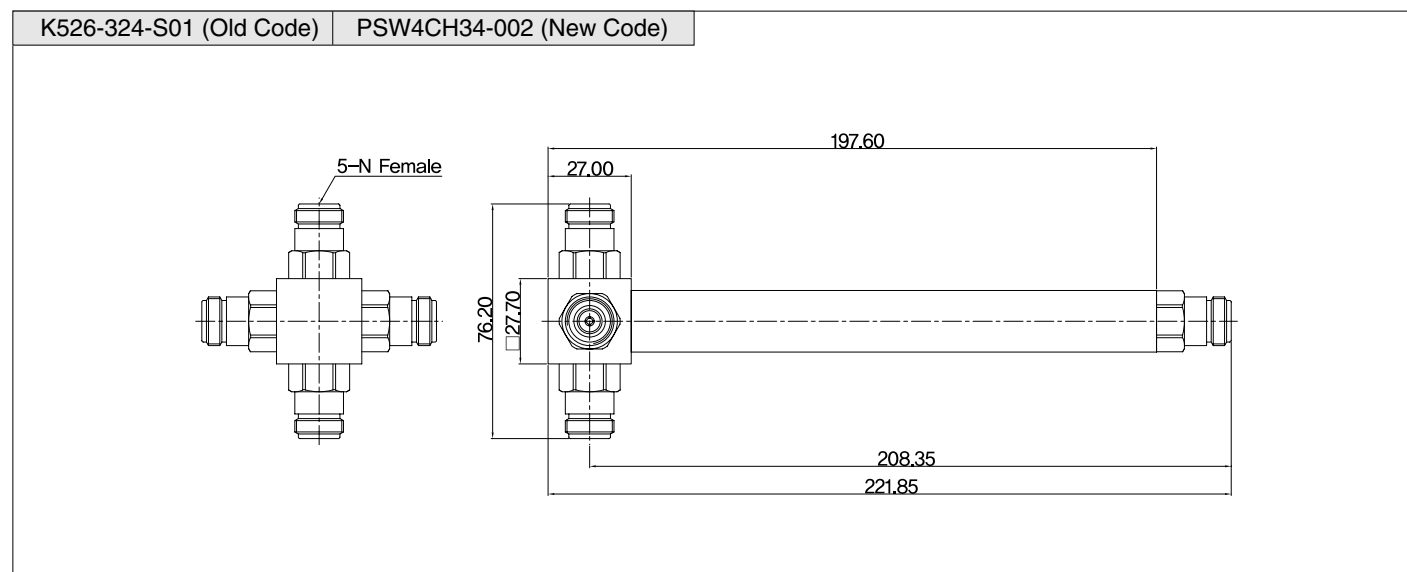
Product Code (Old)	K526-332-S11	K526-332-S12
Product Code (New)	PSW2EF37-001	PSW2CF37-002
Frequency Range (MHz)	1885 ~ 2170	824 ~ 894, 1885 ~ 2170
Number of Way	2	2
Insertion Loss (max)	3.20 dB	3.30 dB
VSWR (max)	1.20 : 1	1.20 : 1
Impedance	50Ω	50Ω
Input Power (max)	1000 W	1000 W
Temperature Range	-30°C ~ +60°C	-30°C ~ +60°C
Port Connector (IN/OUT)	DIN (F)	DIN (F)

## Power Splitter (DIN)



Product Code (Old)	K526-333-S09	K526-333-S10
Product Code (New)	PSW3EF37-001	PSW3CF37-001
Frequency Range (MHz)	1885 ~ 2170	824 ~ 894, 1885 ~ 2170
Number of Way	3	3
Insertion Loss (max)	5.00 dB	5.20 dB
VSWR (max)	1.20 : 1	1.20 : 1
Impedance	50Ω	50Ω
Input Power (max)	1000 W	1000 W
Temperature Range	-30°C ~ +60°C	-30°C ~ +60°C
Port Connector (IN/OUT)	DIN (F)	DIN (F)

## Power Splitter (N, DIN)



Product Code (Old)	K526-324-S01	K526-334-S01
Product Code (New)	PSW4CH34-002	PSW4H137-001
Frequency Range (MHz)	824 ~ 894, 1885 ~ 2170 2300 ~ 2400, 2630 ~ 2655	2630 ~ 2655
Number of Way	4	4
Insertion Loss (max)	7.00 dB	6.30 dB
VSWR (max)	1.20 : 1	1.20 : 1
Impedance	50Ω	50Ω
Input Power (max)	200 W	200 W
Temperature Range	-30°C ~ +60°C	-30°C ~ +60°C
Port Connector (IN/OUT)	N (F)	DIN (F)