

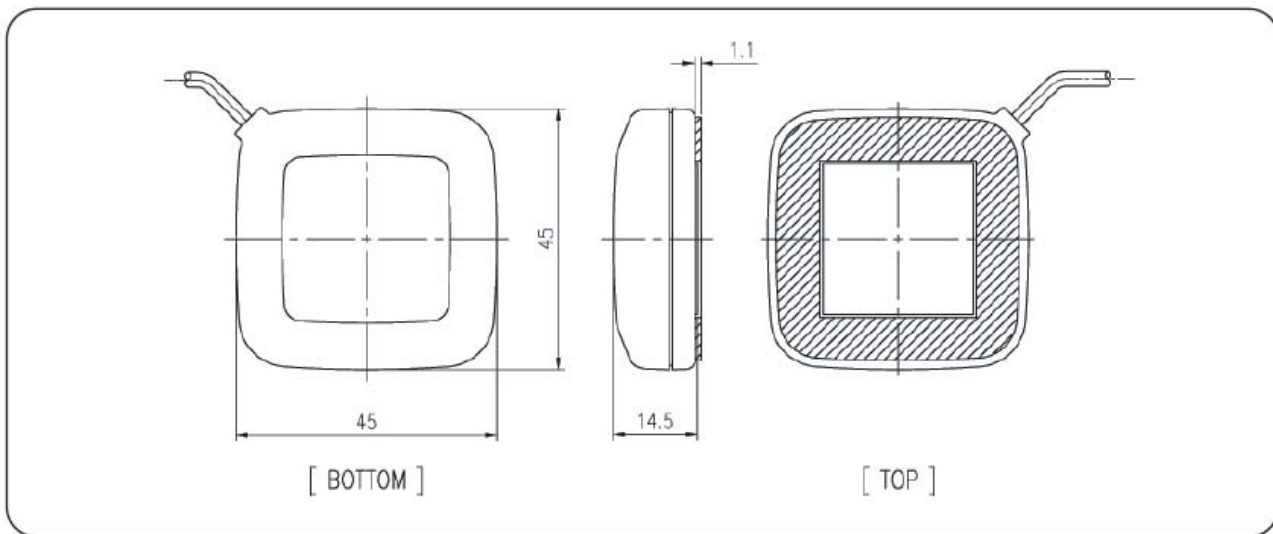
# GPS Antenna For Car Navigation



◆ HAG-130-GM



Model	HAG-130-GM
<b>ANTENNA ELEMENT</b>	
Center Frequency	1575.42 MHz $\pm$ 1.023 MHz
Polarization	R.H.C.P.
Gain @ Zenith	+4dBi typical
Axial Ratio	3dB max
Impedance	50 $\Omega$
<b>LOW NOISE AMPLIFIRE</b>	
Frequency	1575.42 MHz $\pm$ 1.023 MHz
VSWR	Less than 2.0
Polarization	RHCP
Impedance	50 $\Omega$
LNA Gain	26 $\pm$ 2dB
Noise Figure	2.0dB (max)
Band Attenuation	20dB min @Fo $\pm$ 50 MHz
Axial Ratio	3dB max
Voltage	DC +3 ~ +5V
Current	20mA (max)
<b>MECHANICAL</b>	
Weight	100g
Height	15.5 mm
Width	42 x 42 mm
Cable	RG-174 5m, 1.5D2v 5m Other Types(Optional)
Connector	SMA Other Types(Optional)
Mounting	Tape
<b>ENVIROMENTAL</b>	
Operating Temp.	-30 $^{\circ}$ C ~ +80 $^{\circ}$ C
Storage Temp.	-40 $^{\circ}$ C ~ +90 $^{\circ}$ C
<b>APPLICATION: Car Navigation</b>	



maycom Japan Co.,Ltd.