

F type connectors for satellite broadcasting conform with the specifications of technical standards.

The mechanical characteristics, electrical characteristics and environment characteristics of the connectors are fully guaranteed.

The connectors are:



Series F 75Ω

Microminiature Coaxial Connector

Technical Data

Material Data

Cable Connector

Receptacles with Solder End

PCB Connectors

Adaptor within-Series

Protective Caps

Microminiature Coaxial Connector

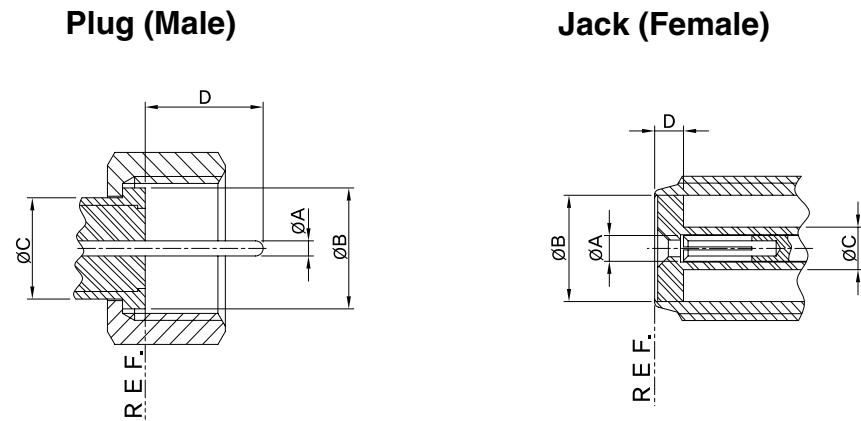
● **Description**

F type connectors for satellite broadcasting conform with the specifications of technical standards.
The mechanical characteristics, electrical characteristics and environment characteristics of the connectors are fully guaranteed.

● **Contents**

Microminiature Coaxial Connector	344
Technical Data	345
Material Data	345
Cable Connector	346
Receptacles with Solder End	349
PCB Connectors	349
Adaptor within-Series	350
Protectire Caps	350

● **Interface Dimensions**



● **Interface Dimensions in mm/inch**

	Pulg (male)		Jack (Female)	
	Min.	Max.	Min.	Max.
A	0.98 / 0.039	1.02 / 0.040	1.67 / 0.066	1.70 / 0.067
B	-	8.00 / 0.315	6.90 / 0.272	6.95 / 0.274
C	6.75 / 0.266	6.77 / 0.267	2.80 / 0.110	2.85 / 0.112
D	1.27 / 0.050	4.50 / 0.177	1.75 / 0.069	1.85 / 0.073

Technical Data

Requirement

● **ELECTRICAL DATA**

Impedance
Frequency range
Dielectric withstanding voltage (at sea level)
Working voltage (at sea level)
Insulation resistance
Contact resistance
- Center contacts
- Outer contacts

Specification

● **TEST REQUIREMENTS**

75Ω
DC 1GHz
500 V rms, 50 Hz
≤ 170 V rms, 50 Hz
≥ 10⁴ MΩ
≤ 10 mΩ
≤ 5 mΩ

● **MATERIAL DATA**

Bodies Brass / Nickel
Outer contacts Beryllium copper / Gold
Insulators PTFE

Cable Connector

● Straight Cable Plug(male)

For Semi-rigid cable
Cable entry Soldered

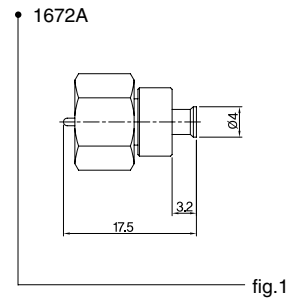


Fig	Type	Code		Cable Goup (example)	Plating			AS-In	Note
		Old Code	New Code		Pin	Body	Back Nut		
1	F75-PS-1672A	K640-116-001	CN3611S06-001-1/1	S06 1672A	Gold	Nickel	Nickel		pin : Ø1.0

For Flexible Cable
Cable entry Clamp & Crimp

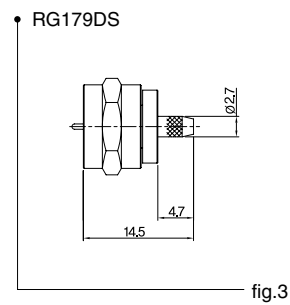
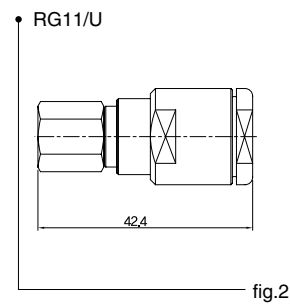
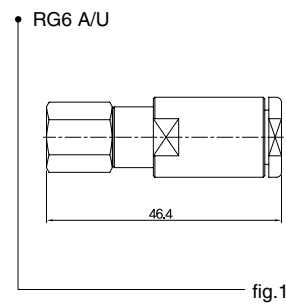
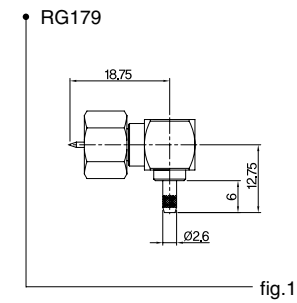


Fig	Type	Code		Cable Goup (example)	Plating			AS-In	Note
		Old Code	New Code		Pin	Body	Back Nut		
1	F75-P3-RG6/U	K640-015-000	CN3611X11-001-1/1	X11 RG6 A/U	Gold	Nickel	Nickel		pin : Ø1.0
2	F75-P3-RG11	K640-011-000	CN3611X18-001-1/1	X18 RG11/U	Gold	Nickel	Nickel		pin : Ø1.0
3	F75-P-179DS	K640-013-002	CN3611X35-001-1/1	X35 RG179DS	Gold	Nickel	Nickel		pin : Ø1.0

● Right Angle Plug(male)

For Flexible Cable
Cable entry Crimp



● Panel Seal

For Flexible Cable
Cable entry Clamp

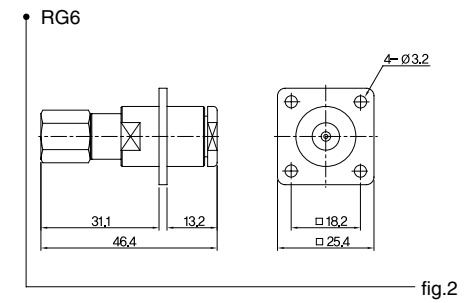


Fig	Type	Code		Cable Goup (example)	Plating			AS-In	Note
		Old Code	New Code		Pin	Body	Coupling		
1	F75-LPC-179	K640-118-000	CN3631X04-001-1/1	X04 RG179	Gold	Nickel	Nickel		pin : Ø1.0
2	F75-P-H4-3-RG6/U	K640-114-000	CN3643X11-001-1/1	X11 RG6	Gold	Nickel	Nickel		

● Straight Cable Jack(female)

For Flexible Cable
Cable entry Clamp

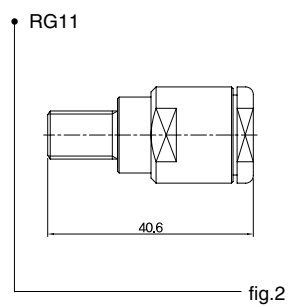
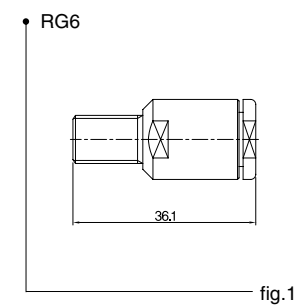


Fig	Type	Code		Cable Goup (example)	Plating			AS-In	Note
		Old Code	New Code		Pin	Body	Back Nut		
1	F75-J3-RG6/U	K640-112-000	CN3612X11-001-1/1	X11 RG6	Gold	Nickel	Nickel		
2	F75-J3-RG11	K640-117-000	CN3612X18-001-1/1	X18 RG11	Gold	Nickel	Nickel		

● Straight Bulkhead Cable Jack(female)

For Semi-rigid cable
Cable entry Soldered

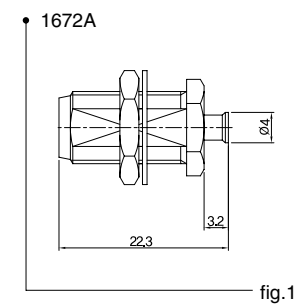


Fig	Type	Code		Cable Goup (example)	Plating		AS-In	Note
		Old Code	New Code		Pin	Body		
1	F75-BJ-S-1672A	K640-231-003	CN3622S06-001-1/1	S06 1672A	Gold	Nickel		

For Flexible Cable
Cable entry Crimp

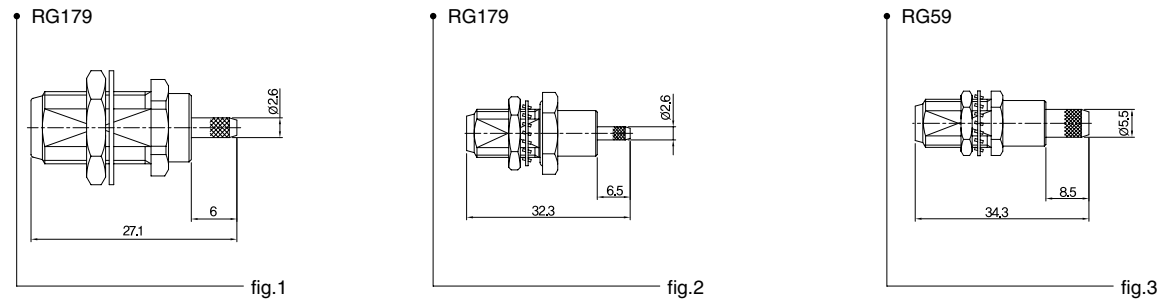


Fig	Type	Code		Cable Goup (example)	Plating		AS-In	Note
		Old Code	New Code		Pin	Body		
1	F75-BJ-C-179	K640-121-004	CN3622X04-001-1/1	X04 RG179	Gold	Nickel		
2	F75-BJ-C-179DS	K640-231-004	CN3622X35-001-1/1	X04 RG179	Gold	Nickel		
3	F75-BJ-C-59	K640-232-000	CN3622X09-001-1/1	X09 RG59	Gold	Nickel		

● Straight Panel Cable Jack(female)

For Flexible Cable
Cable entry Clamp

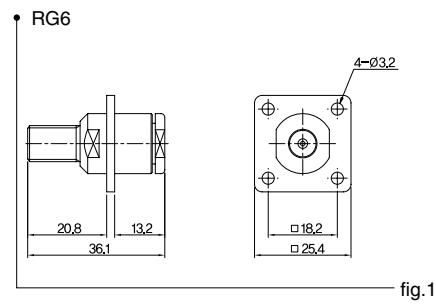


Fig	Type	Code		Cable Goup (example)	Plating			AS-In	Note
		Old Code	New Code		Pin	Body	Back Nut		
1	F75-J-H4-3-RG6/U	K640-205-000	CN3644X11-001-1/1	X11 RG6	Gold	Nickel	Nickel		

Receptacle with Solder End

● Receptacle Bulk Jack (female)

Panel mounted
With panel seal

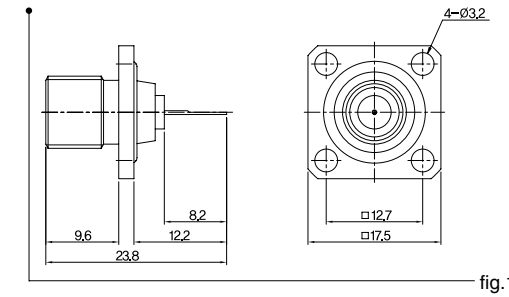


Fig	Type	Code		Plating		Mounting Hole	AS-In	Note
		Old Code	New Code	Pin	Body			
1	F75-J-H4-R	K640-460-001	CN3644000-001-1/1	Silver	Nickel	ML91		

PCB Connector

● Right Angle PCB Plug(male) & Jack(female)

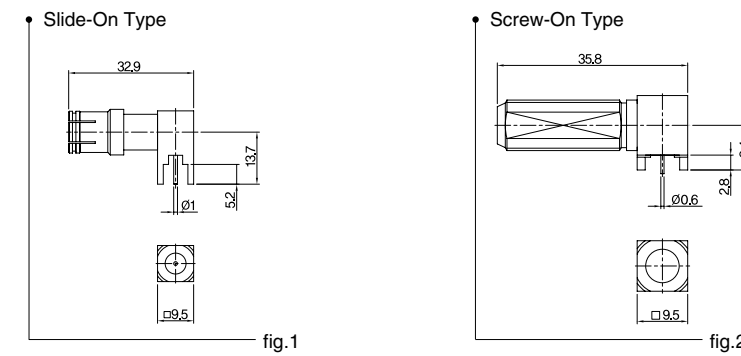


Fig	Type	Code		Plating		Mounting Hole	AS-In	Note
		Old Code	New Code	Pin	Body			
1	F75-LP-4R-R	K640-641-000	CN3655000-001-1/1	Gold	Nickel	ML92		
2	F75-LJ-4R-R	K640-640-000	CN3653000-001-1/1	Gold	Nickel	ML93		

Adaptor within-Series

● **Straight Adaptors**

● Plug to Plug (male)

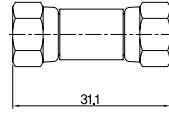


fig.1

● Jack to Jack (female)

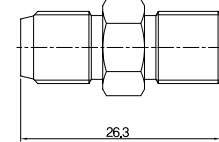


fig.2

● **Panel Seal Adaptor** ● **Right Angle Adaptor**

● Jack to Jack (female)
Panel mounted

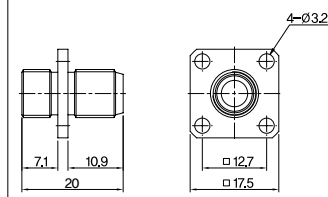


fig.3

● Plug to Jack (male + female)

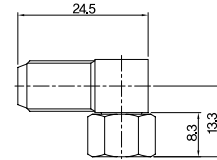


fig.4

Fig	Type	Code		Plating		Mounting Hole	AS-In	Note
		Old Code	New Code	Pin	Body			
1	F75-A-PP	K640-500-000	AD3611-001-1/1	Gold	Nickel	-		
2	F75-A-JJ	K640-501-000	AD3612-001-1/1	Gold	Nickel	-		
3	F75-PA-JJ	K640-503-001	AD3646-001-1/1	Gold	Nickel	ML94		
4	F75-LA-JP	K640-502-000	AD3633-001-1/1	Gold	Nickel	-		

Protectire Caps

● **Cap with Chain for Jack**

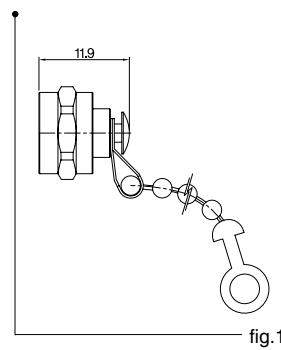


fig.1

Fig	Type	Code		Plating		Mounting Hole	AS-In	Note
		Old Code	New Code	Coupling Cap	Body			
1	F75-P-DUST CAP	K640-805-000	CN3680-001-1/1	Nickel	Nickel			Chain

