

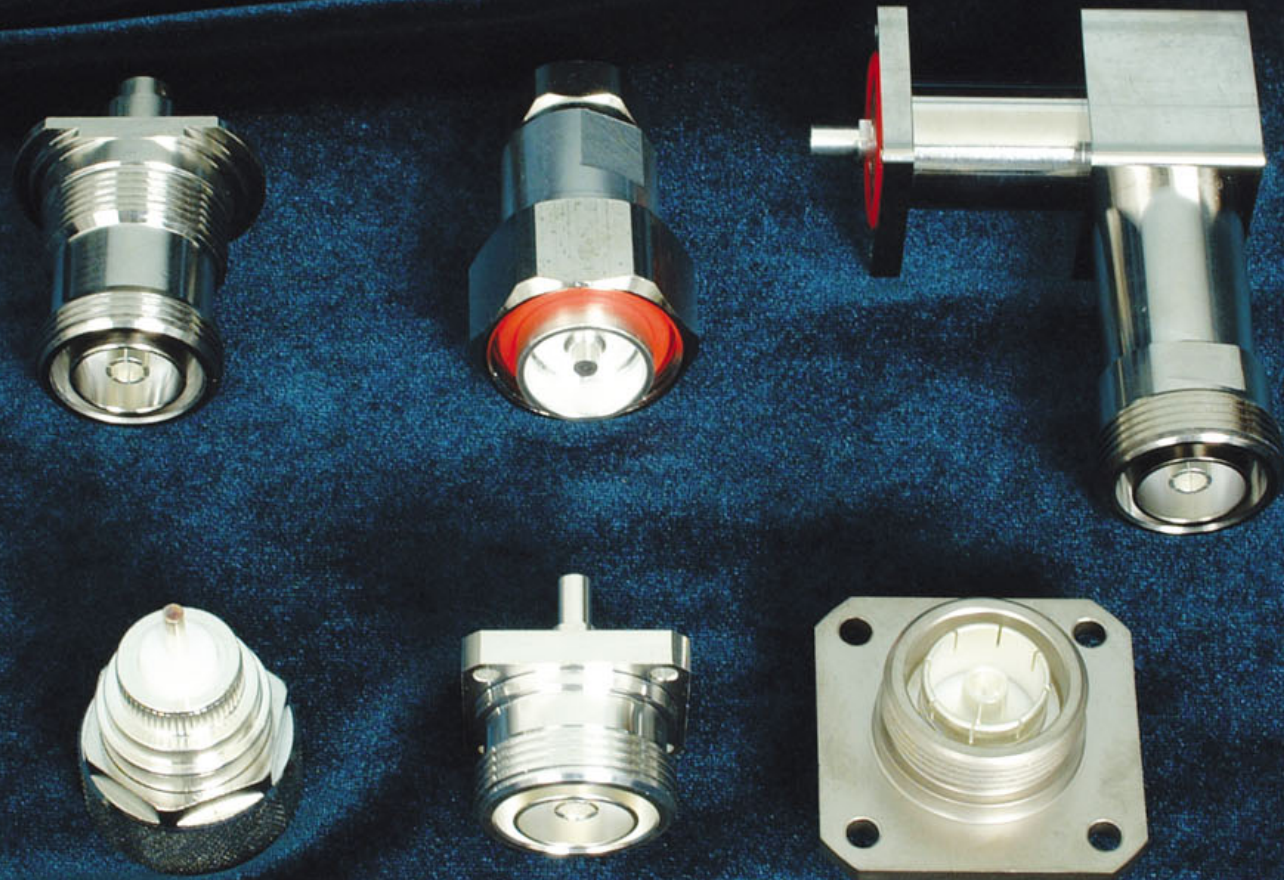
# KJ COMTECH

KJ-COMTECH 7/16 DIN connectors are mechanically very rugged coaxial connectors with screw lock.

They have a characteristic impedance of  $50\Omega$  and are applicable with excellent electrical properties up to 7.5GHz.

Transmission of medium to high power in transmitting stations and low loss transmission of received signals such as in mobile phone base stations are typical applications. For these purposes low intermodulation product and water-proof types are also available. and water-proof types are also available.

## Series 7/16 DIN $50\Omega$



Microminiature Coaxial Connector

Technical Data

Material Data

Cable Connector

Receptacles with Solder End

## Microminiature Coaxial Connector

### Description

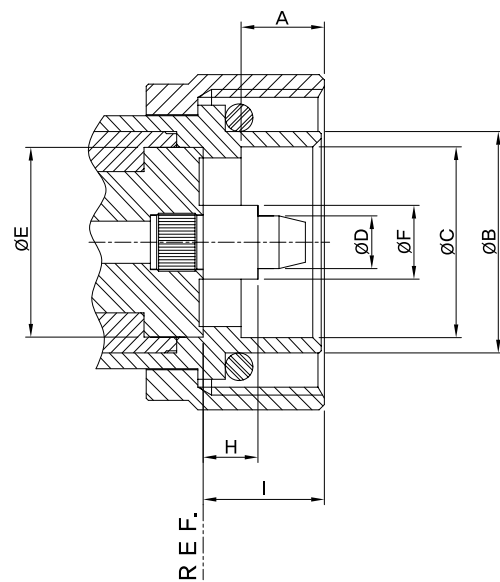
KJ-COMTECH 7/16 DIN connectors are mechanically very rugged coaxial connectors with screw lock. They have a characteristic impedance of 50Ω and are applicable with excellent electrical properties up to 7.5GHz. Transmission of medium to high power in transmitting stations and low loss transmission of received signals such as in mobile phone base stations are typical applications. For these purposes low intermodulation product and water-proof types are also available. and water-proof types are also available.

### Contents

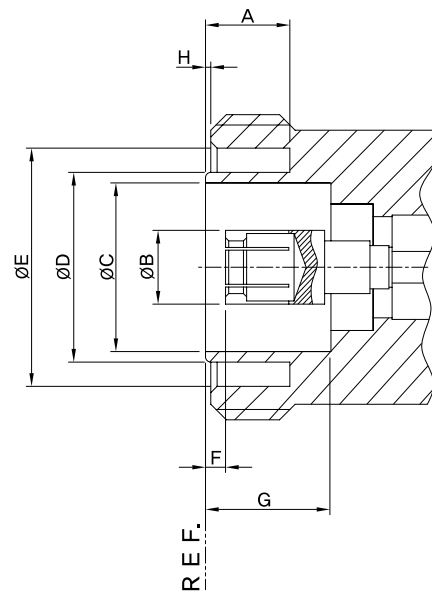
Microminiature Coaxial Connector	.....	336
Technical Data	.....	337
Material Data	.....	337
Cable Connector	.....	338
Receptacles with Solder End	.....	340

### Interface Dimensions

Plug (Male)



Jack (Female)



### Interface Dimensions in mm/inch

	Plug (male)		Jack (Female)	
	Min.	Max.	Min.	Max.
A	-	4.59 / 0.181	4.59 / 0.181	-
B	-	0.25 / 0.010	-	-
C	-	2.54 / 0.100	2.67 / 0.105	-
D	1.27 / 0.050	1.28 / 0.050	1.27 / 0.050	1.28 / 0.050
E	0.38 / 0.015	1.14 / 0.045	1.95 / 0.077	1.97 / 0.078
F	-	3.43 / 0.135	0.38 / 0.015	1.14 / 0.045
G	0.92 / 0.036	0.94 / 0.037	5.28 / 0.208	5.49 / 0.216
H	-	-	4.32 / 0.170	-
I	6.35 / 0.250	-	-	-

## Technical Data

### Requirement

#### ELECTRICAL DATA

Impedance	50Ω
Frequency range	DC ..... 7.5GHz
RF leakage (at 1 GHz)	≥ 128 dB
Dielectric withstanding voltage (at sea level)	4.0 kV rms, 50 Hz
- Combination system	2.0 kV rms, 50 Hz
Working voltage (at sea level)	≤ 2.7 kV rms, 50 Hz
- Combination system	≤ 1.0 kV rms, 50 Hz
Insulation resistance	≥ 10 <sup>4</sup> MΩ
Contact resistance	
- Center contacts	≤ 0.4 mΩ
- Outer contacts	≤ 1.5 mΩ

### Specification

#### TEST REQUIREMENTS

#### MECHANICAL DATA

Coupling nut torque	
- recommended	25 Nm~30 Nm / 221 in. lbs~260 in. lbs
- proof torque	35 Nm / 310 in. lbs
Coupling nut retention force	≥ 1000 N / 225.0 lbs
Contact captivation	≥ 200 N / 45.0 lbs
Durability (matings)	≥ 500

#### TEST REQUIREMENTS

## Material Data

Connector Part	Material		Plating
	Male	Female	
PIN	Brass	Beryllium-Copper	SUCO or Silver
INSULATOR	PTFE	PTFE	-
JACK (INSERT BODY)	Brass	Brass	SUCO or Silver
BODIES	Brass	Brass	SUCO or Silver
GASKET	Silicone-Rubber	Silicone-Rubber	-
BACK NUT	Brass	Brass	SUCO or Silver
CRIMP FERRULE	Brass	Brass	SUCO or Silver

## Cable Connector

### ● Straight & Right Angle Cable Plug(male)

For flexible cable or For Semi-rigid cable  
Cable entry Crimp

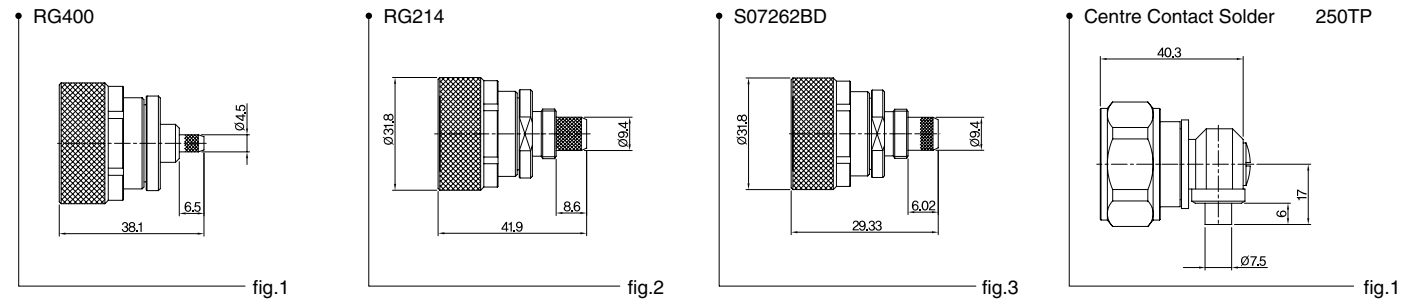


Fig	Type	Code		Cable Goup (example)	Plating			AS-In	Note
		Old Code	New Code		Pin	Body	Coupling		
1	7/16"DIN50-PC-400	K318-090-000	CN3711X08-001-1/1	X08 RG400	Silver	Silver	Nickel		
2	7/16"DIN50-PC-214	K318-082-002	CN3711X15-001-1/1	X15 RG214	Silver	Silver	Nickel		
3	7/16"DIN50-PC-S0726BD	K318-082-000	CN3711X13-001-1/1	X13 S07262BD	Silver	Silver	Nickel		
4	7/16"DIN50-LPS-250	K318-140-000	CN3731S05-001-1/1	S03 250TP	Silver	SUCO	SUCO		

For Semi-rigid cable  
Cable entry Soldered

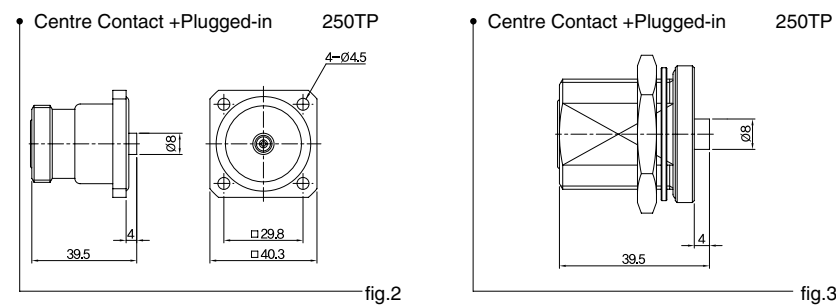


Fig	Type	Code		Cable Goup (example)	Plating			AS-In	Note
		Old Code	New Code		Pin	Body	Coupling		
1	7/16"DIN50-J-H4-S-250	K318-345-000	CN3744S05-001-1/1	S03 250TP	Silver	SUCO	White Bronze		
2	7/16"DIN50-BJS-250	K318-346-000	CN3722S05-001-1/1	S03 250TP	Silver	SUCO	White Bronze		

### ● Straight Cable Plug(male)

For Heliax Cable

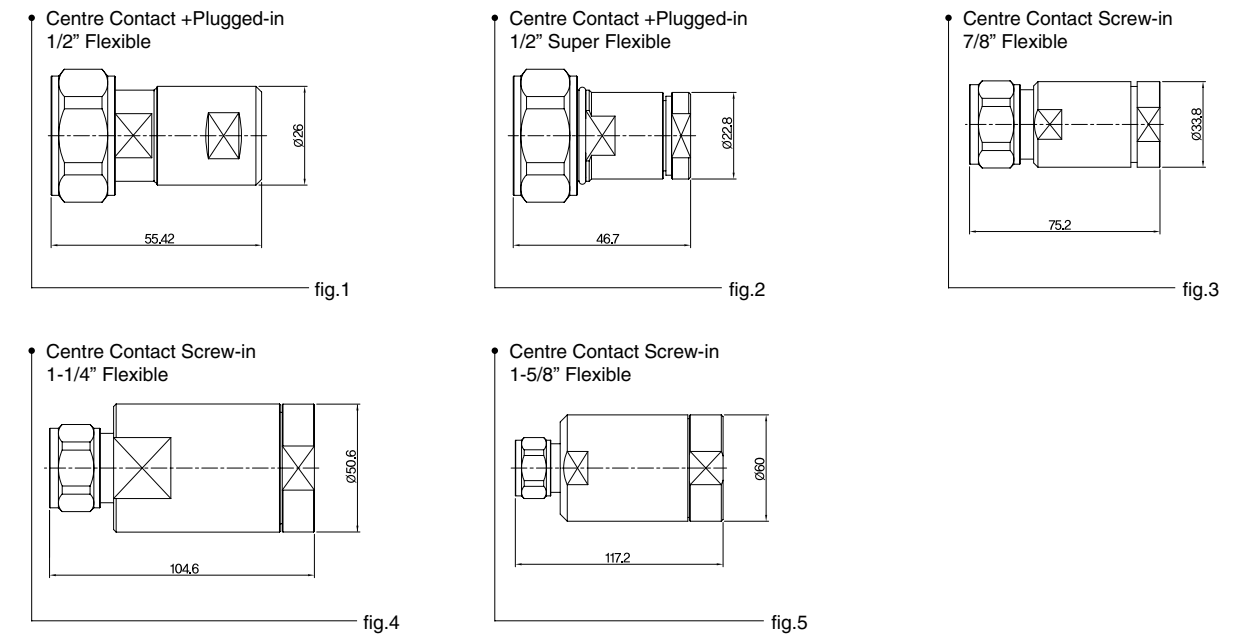


Fig	Type	Code		Cable Goup (example)	Plating			AS-In	Note
		Old Code	New Code		Pin	Body	Coupling		
1	7/16"DIN50-P3-1/2"F	K318-088-000	CN3711C09-001-1/1	C09 1/2" Flexible	Silver	Silver	Nickel		
2	7/16"DIN50-P3-1/2"SF	K318-089-000	CN3711C10-001-1/1	C10 1/2" Super Flexible	Silver	Silver	Nickel		
3	7/16"DIN50-P3-7/8"F	K318-087-000	CN3711C11-001-1/1	C11 7/8" Flexible	Silver	Silver	Nickel		
4	7/16"DIN50-P3-1+1/4"	K318-086-000	CN3711C12-001-1/1	C12 1-1/4" Flexible	Silver	Silver	Nickel		
5	7/16"DIN50-P3-1+5/8"	K318-085-000	CN3711C13-001-1/1	C13 1-5/8" Flexible	Silver	Silver	Nickel		

## ● Straight Cable Jack(female)

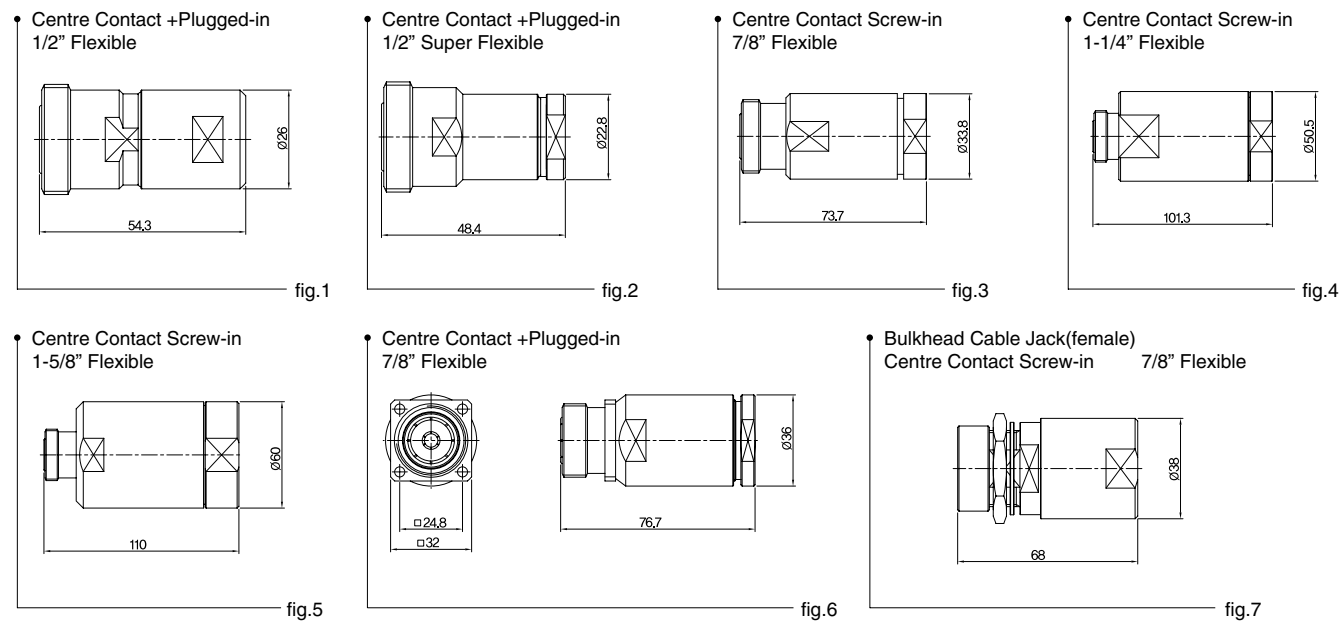


Fig	Type	Code		Cable Goup (example)	Plating			AS-In	Note
		Old Code	New Code		Pin	Body	Back Nat		
1	7/16\"DIN50-J3-1/2\"F	K318-220-000	CN3712C09-001-1/1	C09 1/2\" Flexible	Silver	Silver	Silver		
2	7/16\"DIN50-J3-1/2\"SF	K318-221-000	CN3712C10-001-1/1	C10 1/2\" Super Flexible	Silver	Silver	Silver		
3	7/16\"DIN50-J3-7/8\"F	K318-219-000	CN3712C11-001-1/1	C11 7/8\" Flexible	Silver	Silver	Silver		
4	7/16\"DIN50-J3-1+1/4\"	K318-216-000	CN3712C12-001-1/1	C12 1-1/4\" Flexible	Silver	Silver	Silver		
5	7/16\"DIN50-J3-1+5/8\"F	K318-218-000	CN3712C13-001-1/1	C13 1-5/8\" Flexible	Silver	Silver	Silver		
6	7/16\"DIN50-J-H4-3-7/8\"F	K318-213-000	CN3744C11-001-1/1	C11 7/8\" Flexible	Silver	Silver	Silver		
7	7/16\"DIN50-BJ-3-7/8\"F	K318-215-000	CN3722C11-001-1/1	C11 7/8\" Flexible	Silver	Silver	Silver		

## Receptacle with Solder End

### ● Flange Mount type

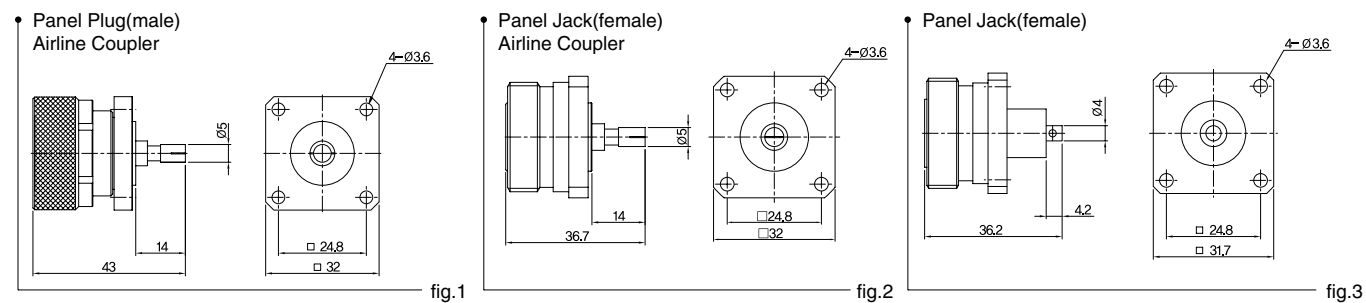


Fig	Type	Code		Plating		Mounting Hole	AS-In	Note
		Old Code	New Code	Pin	Body			
1	7/16\"DIN50-P-H4-R	K318-515-000	CN3743000-001-1/1	Silver	Silver	ML88		
2	7/16\"DIN50-J-H4-R	K318-542-000	CN3744000-002-1/1	Silver	Silver	ML89		
3	7/16\"DIN50-J-H4-R	K318-411-000	CN3744000-001-1/1	Silver	Silver	ML90		

