

These connectors have been especially developed for applications in communications engineering.

Maximum operating frequency is approximately 1.5 GHz.

Connectors meet the requirements of DIN 41626/2 and are especially designed for use in mixed card-edge connectors in accordance with DIN 41612.

Mounting holes in these mixed connector types are suitable for a combination with high power or high voltage connectors. The contacts are installed in the mounting holes by a simple snap-in method.

An extracting tool is required for removal.



Series 41612 DIN 75Ω

Microminiature Coaxial Connector

Technical Data

Material Data

Cable Connectors

PCB Connectors

Adaptor within-Series

Microminiature Coaxial Connector

Description

These connectors have been especially developed for applications in communications engineering. Maximum operating frequency is approximately 1.5 GHz.

Connectors meet the requirements of DIN 41626/2 and are especially designed for use in mixed card-edge connectors in accordance with DIN 41612.

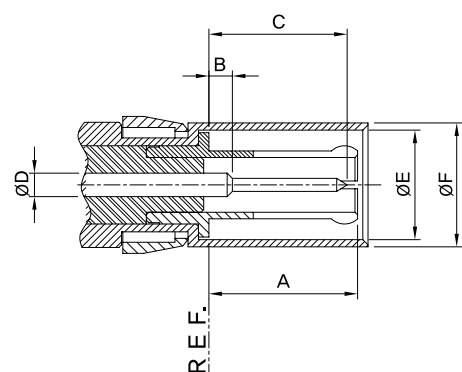
Mounting holes in these mixed connector types are suitable for a combination with high power or high voltage connectors. The contacts are installed in the mounting holes by a simple snap-in method. An extracting tool is required for removal.

Contents

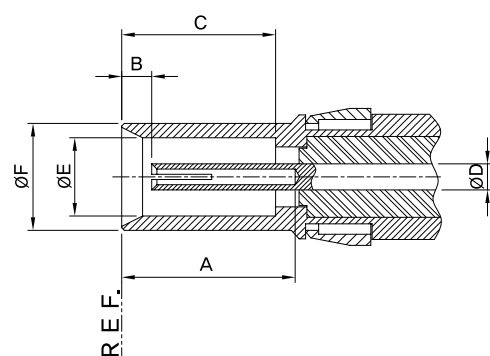
Microminiature Coaxial Connector	226
Technical Data	227
Material Data	227
Cable Connectors	228
PCB Connectors	228
Adaptor within-Series	229

Interface Dimensions

Plug (Male)



Jack (Female)



Interface Dimensions in mm/inch

	Plug (Male)		Jack (Female)	
	Min.	Max.	Min.	Max.
A	5.40/0.213	5.70/0.224	5.65/0.222	-
B	-	1.15/0.045	1.15/0.045	1.45/0.057
C	5.20/0.205	5.50/0.217	5.80/0.228	5.90/0.232
D	0.67/0.026	-	0.77/0.030	-
E	4.20/0.165	4.28/0.169	3.00/0.118	3.06/0.120
F	4.66/0.183	4.78/0.188	4.03/0.159	4.15/0.163

Technical Data

Requirement

ELECTRICAL DATA

Contact resistance	
	Center contact
Max. Contact current	

Specification

TEST REQUIREMENTS

Initial	Afer
1.0 mohm	2.0 mohm
40 A DC	

MECHANICAL DATA

Engagement force	
Separation force	
Life time	industrial type
	militari type

TEST REQUIREMENTS

10 N
5.5 N
250 matings
500 matings

Material Data

Connector Part	Material		Plating
	Male	Female	
PIN	Brass	Beryllium-Copper	Gold
INSULATOR	PTFE	PTFE	-
BODIES	Brass	Brass	Gold
JACK	Beryllium-Copper	-	Gold
SPRING RING	Beryllium-Copper	Beryllium-Copper	Nickel
FERRULES	Brass	Brass	Gold

Cable Connectors

For flexible cable
Cable entry Crimp

• Straight Cable Plug(male) RG179

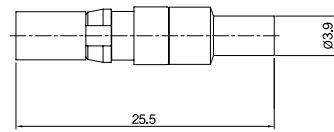


fig.1

• Right Angle Cable Jack(female) RG179

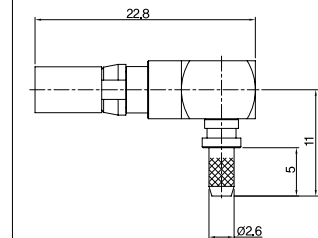


fig.2

• Straight Cable Jack(female) RG179

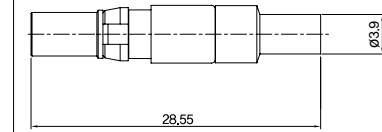


fig.3

Fig	Type	Code		Cable Goup (example)	Plating			AS-In	Note
		Old Code	New Code		Pin	Body	Spring ring		
1	41612 DIN75-PC-179	K387-023-000	CN4111X04-001-1/1	X04 RG179	Gold	Gold	Nickel		
2	41612 DIN75-LPC-179	K387-223-001	CN4131X04-001-1/1	X04 RG179	Gold	Gold	Nickel		
3	41612 DIN75-JC-179	K387-022-000	CN4112X04-001-1/1	X04 RG179	Gold	Gold	Nickel		

Adaptor within-Series

• Straight Adaptors

• Jack to Jack (female)

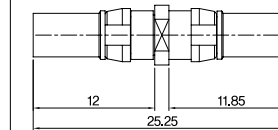


fig.1

Fig	Type	Code		Plating			AS-In	Note
		Old Code	New Code	Pin	Body	Spring ring		
1	41612DIN75-A-JJ	K387-804-000	AD4112-001-1/1	Gold	Gold	Nickel		

PCB Connectors

• Right Angle PCB Jack(female)

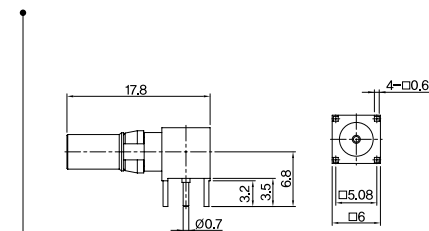


fig.1

Fig	Type	Code		Plating			Mounting Hole	AS-In	Note
		Old Code	New Code	Pin	Body	Spring ring			
1	41612 DIN75-LJ-4R-R	K387-605-000	CN4153000-001-1/1	Gold	Gold	Nickel	ML39		