

Coaxial inserts from KJ-COMTECH are designed in accordance to DIN 41626/2 and feature:

- slide-on coupling mechanism which ensures short connecting and disconnecting times
- Impedance accuracy
- fast and easy assembly
- high reproducibility due to full crimp cable entry

The 1.0/2.3 inserts are suitable for applications up to 4 GHz.

## Series 41612 DIN 50Ω



Microminiature Coaxial Connector

Technical Data

Material Data

Cable Connectors

PCB Connectors

Adaptor within-Series

Termination

## Microminiature Coaxial Connector

### Description

Coaxial inserts from KJ-COMTECH are designed in accordance to DIN 41626/2 and feature:

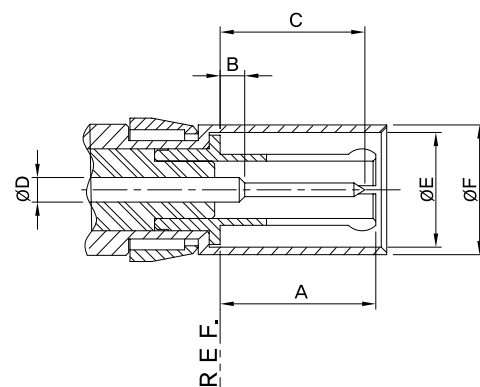
- slide-on coupling mechanism which ensures short connecting and disconnecting times
  - Impedance accuracy
  - fast and easy assembly
  - high reproducibility due to full crimp cable entry
- The 1.0/2.3 inserts are suitable for applications up to 4 GHz.

### Contents

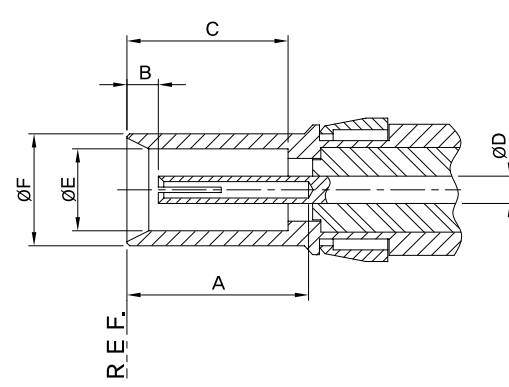
Microminiature Coaxial Connector	216
Technical Data	217
Material Data	217
Cable Connectors	218
PCB Connectors	221
Adaptor within-Series	221
Termination	222

### Interface Dimensions

Plug (Male)



Jack (Female)



### Interface Dimensions in mm/inch

	Plug (Male)		Jack (Female)	
	Min.	Max.	Min.	Max.
A	5.40/0.213	5.70/0.224	5.65/0.222	-
B	-	1.15/0.045	1.15/0.045	1.45/0.057
C	5.20/0.205	5.50/0.217	5.80/0.228	5.90/0.232
D	1.00/0.039	-	1.00/0.039	-
E	4.20/0.165	4.28/0.169	3.00/0.118	3.06/0.120
F	4.66/0.183	4.78/0.188	4.03/0.159	4.15/0.163

## Technical Data

### Requirement

#### ELECTRICAL DATA

Contact resistance	Center contact
Max. Contact current	

### Specification

#### TEST REQUIREMENTS

Initial	Afer
1.0 mohm	2.0 mohm
40 A DC	

#### MECHANICAL DATA

Engagement force	10 N
Separation force	5.5 N
Life time	industrial type militari type

#### TEST REQUIREMENTS

250 matings
500 matings

## Material Data

Connector Part	Material		Plating
	Male	Female	
PIN	Brass	Beryllium-Copper	Gold
INSULATOR	PTFE	PTFE	-
BODIES	Brass	Brass	Gold
JACK	Beryllium-Copper	-	Gold
SPRING RING	Beryllium-Copper	Beryllium-Copper	Nickel
FERRULES	Brass	Brass	Gold

41612 DIN 50Ω

## Cable Connectors

### ● Straight Cable Plug(male)

For Semi-rigid cable  
Cable entry Soldered  
Centre Contact Soldered

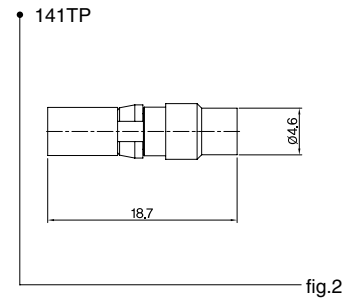
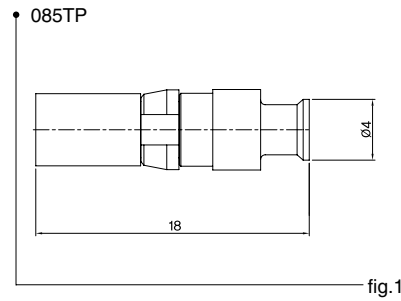


Fig	Type	Code		Cable Goup (example)	Plating			AS-In	Note
		Old Code	New Code		Pin	Body	Spring ring		
1	41612 DIN50-PS-085	K385-001-000	CN4011S03-001-1/1	S03 085TP	Gold	Gold	Nickel		
2	41612 DIN50-PS-141	K387-013-000	CN4011S04-001-1/1	S04 141TP	Gold	Gold	Nickel		

For flexible cable  
Cable entry Crimp  
Centre Contact Soldered

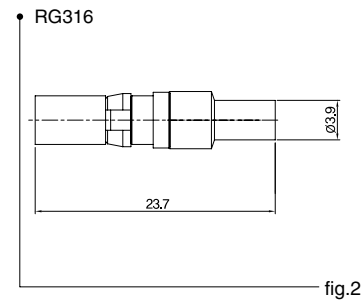
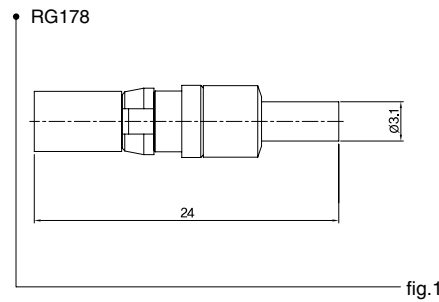


Fig	Type	Code		Cable Goup (example)	Plating			AS-In	Note
		Old Code	New Code		Pin	Body	Spring ring		
1	41612 DIN50-PC-178	K387-011-000	CN4011X01-001-1/1	X01 RG178	Gold	Gold	Nickel		
2	41612 DIN50-PC-316	K387-012-000	CN4011X02-001-1/1	X02 RG316	Gold	Gold	Nickel		

### ● Right Angle Cable Plug(male)

For flexible cable  
Cable entry Crimp  
Centre Contact Soldered

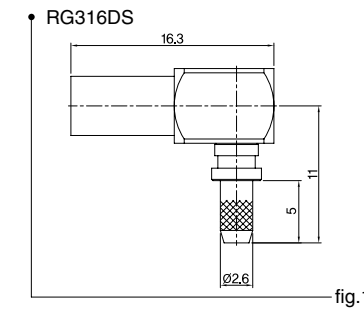


Fig	Type	Code		Cable Goup (example)	Plating			AS-In	Note
		Old Code	New Code		Pin	Body	Spring ring		
1	41612 DIN50-LPC-316DS	K387-224-000	CN4031X03-001-1/1	X03 RG316DS	Gold	Gold	Nickel		

### ● Straight Cable Jack(female)

For flexible cable  
Cable entry Crimp  
Centre Contact Soldered

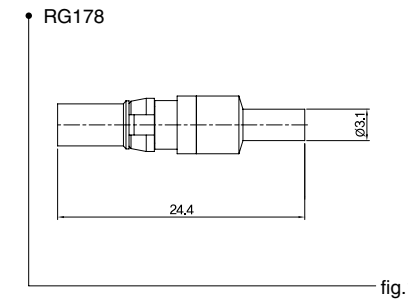


Fig	Type	Code		Cable Goup (example)	Plating			AS-In	Note
		Old Code	New Code		Pin	Body	Spring ring		
1	41612 DIN50-JC-178	K387-212-000	CN4012X01-001-1/1	X01 RG178	Gold	Gold	Nickel		

## ● Right Angle Cable Jack(female)

For flexible cable  
Cable entry Crimp  
Centre Contact Soldered

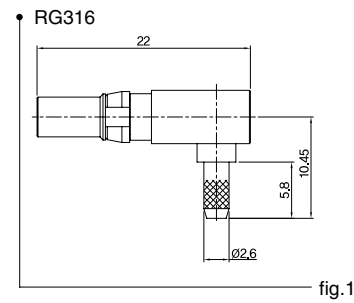


Fig	Type	Code		Cable Goup (example)	Plating			AS-In	Note
		Old Code	New Code		Pin	Body	Spring ring		
1	41612 DIN50-LJC-316	K387-222-001	CN4032X02-001-1/1	X02 RG316	Gold	Gold	Nickel		

## ● Right Angle PCB Cable Plug(male) & Jack(female)

For flexible cable  
Cable entry Crimp  
Centre Contact Soldered

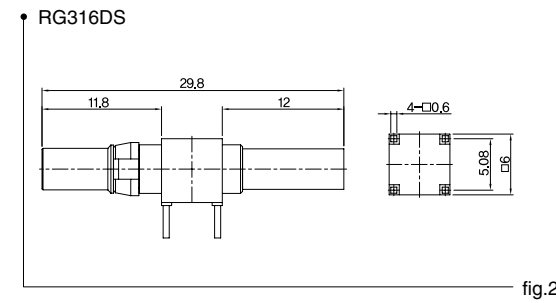
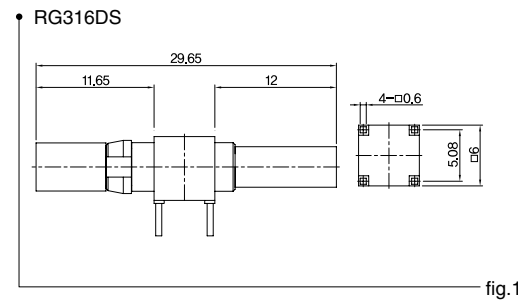


Fig	Type	Code		Cable Goup (example)	Plating			AS-In	Note
		Old Code	New Code		Pin	Body	Spring ring		
1	41612DIN50-LP-4R-C-RG316DS	K387-521-000	CN4055X03-001-1/1	X03 RG316DS	Gold	Gold	Nickel		
2	41612DIN50-LJ-4R-C-RG316DS	K387-520-000	CN4053X03-001-1/1	X03 RG316DS	Gold	Gold	Nickel		

## PCB Connectors

• Straight PCB Jack(female)

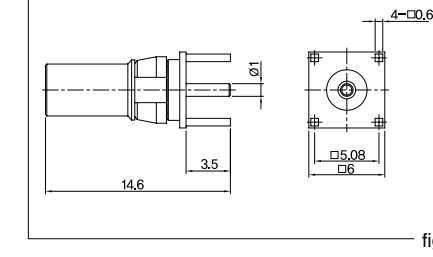


fig.1

• Right Angle PCB Plug (male)

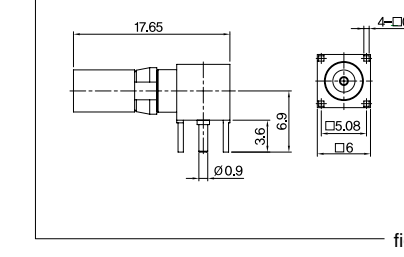


fig.2

• Right Angle PCB Jacks (female)

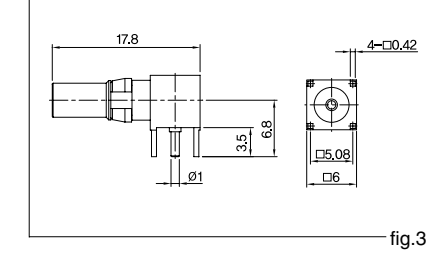


fig.3

Fig	Type	Code		Plating			Mounting Hole	AS-In	Note
		Old Code	New Code	Pin	Body	Spring ring			
1	41612DIN50-J-4R-R	K385-479-000	CN4051000-001-1/1	Gold	Gold	Nickel	ML37		
2	41612DIN50-LP-4R-R	K385-672-006	CN4055000-001-1/1	Gold	Gold	Nickel	ML38		
3	41612DIN50-LJ-4R-R	K385-605-000	CN4053000-001-1/1	Gold	Gold	Nickel	ML37		

## Adaptor within-Series

### ● Straight Adaptors

• Jack to Jack (female)

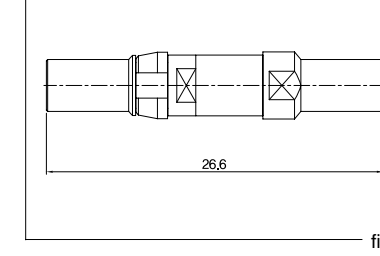


fig.1

• Jack to Jack (female)

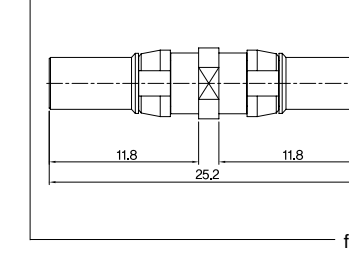


fig.2

• Plug to Plug (male)

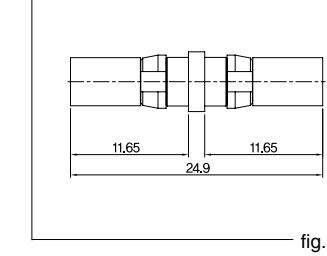


fig.3

Fig	Type	Code		Plating			AS-In	Note
		Old Code	New Code	Pin	Body	Spring ring		
1	41612DIN50-A-JJ	K385-702-000	AD4012-001-1/1	Gold	Gold	Nickel		
2	41612DIN50-A-JJ	K385-704-000	AD4012-002-1/1	Gold	Gold	Nickel		
3	41612DIN50-A-PP	K385-705-000	AD4011-001-1/1	Gold	Gold	Nickel		

## Termination

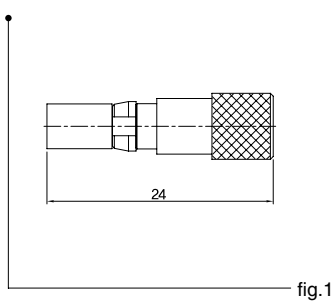


Fig	Type	Code		Plating			AS-In	Note
		Old Code	New Code	Pin	Body	Coupling		
1	41612DIN50-P-TERM	K385-952-000	CN4091-001-1/1	Gold	Gold	Nickel		No Chain

