

# KJ COMTECH

The 1.0/2.3 series are through construction and materials especially suited for instruments, where highest reliability is required, for instance in telecommunication systems.

Three different devices are available: screw-on, slide-on coupling where as the sockets are of same design for all systems.

## Series 1.0/2.3 DIN



Microminiature Coaxial Connector

Technical Data

Material Data

Cable Connector

Receptacle with Solder End

PCB Connector

## Microminiature Coaxial Connector

### Description

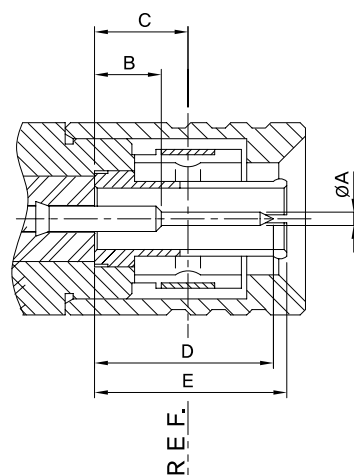
The 1.0/2.3 series are through construction and materials especially suited for instruments, where highest reliability is required, for instance in telecommunication systems. Three different devices are available: screw-on, slide-on coupling where as the sockets are of same design for all systems.

### Contents

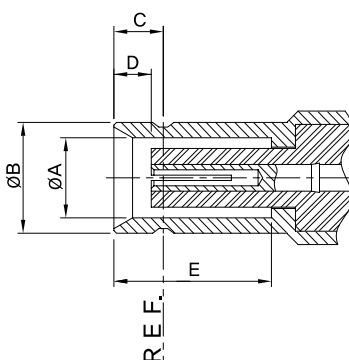
Microminiature Coaxial Connector	.....	198
Technical Data	.....	199
Material Data	.....	199
Cable Connector	.....	200
Receptacle with Solder End	.....	202
PCB Connector	.....	203

### Interface Dimensions

#### Plug (Male)



#### Jack (Female)



### Interface Dimensions in mm/inch

	Plug (Male)		Jack (Female)	
	Min.	Max.	Min.	Max.
A	0.47/0.019	0.50/0.020	3.00/0.118	3.06/0.120
B	-	1.15/0.045	4.03/0.159	4.15/0.163
C	-	2.00/0.079	-	1.85/0.073
D	-	5.50/0.217	1.15/0.045	1.75/0.069
E	5.40/0.213	5.70/0.224	-	5.90/0.232

## Technical Data

### Requirement

#### ELECTRICAL DATA

Impedance	50Ω
Frequency range	DC ..... 4GHz
Dielectric withstanding voltage (at sea level)	750 V rms, 50 Hz
Working voltage (at sea level)	≤ 150 V rms, 50 Hz
Insulation resistance	≤ 200 MΩ
Contact resistance	
- Center contacts	≤ 4 mΩ
- Outer contacts	≤ 2.5 mΩ

### Specification

#### TEST REQUIREMENTS

#### MECHANICAL DATA

Engagement force	≥ 10 N / 2.3 lbs
Disengagement force	≥ 10 N / 2.3 lbs
Durability (matings)	≥ 500

#### TEST REQUIREMENTS

## Material Data

Connector Part	Material		Plating
	Male	Female	
PIN	Brass	Beryllium-Copper	Gold
INSULATOR	PTFE	PTFE	-
BODIES	Brass	Brass or Stainless Steel	Gold or Nickel
JACK	-	Beryllium-Copper	Gold
COUPLING or HOUSING	Brass	-	Gold
CRIMP FEMALE	Brass	Brass	Gold or Nickel

## Cable Connector

### ● Straight Cable Plug(male)

For flexible cable  
Cable entry crimp

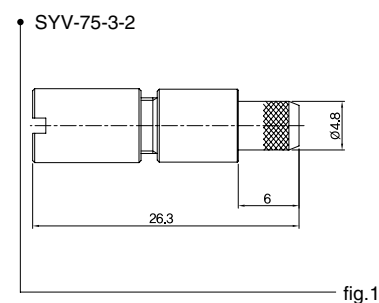


fig.1

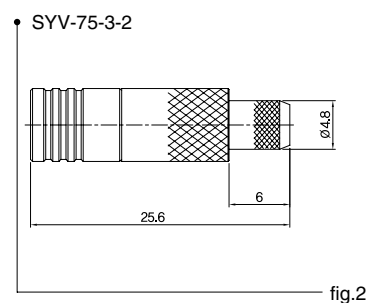


fig.2

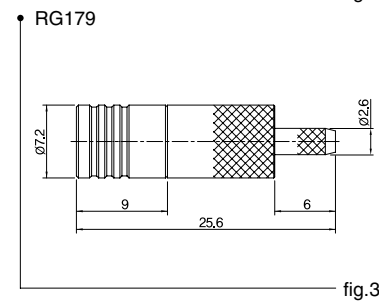


fig.3

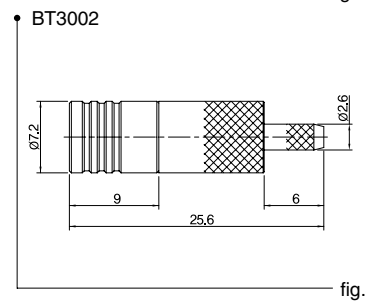


fig.4

Fig	Type	Code		Cable Goup (example)	Plating			AS-In	Note
		Old Code	New Code		Pin	Body	Coupling		
1	1.0/2.3DIN50(SL)-PC-SYV-75-3-2	K319-001-000	CN3A11X21-001-1/1	X21 SYV-75-3-2	Gold	Nickel	Nickel		
2	1.0/2.3DIN50(SN)-PC-SYV-75-3-2	K319-002-000	CN3811X21-001-1/1	X21 SYV-75-3-2	Gold	Nickel	Nickel		
3	1.0/2.3DIN50(SN)-PC-179	K319-003-000	CN3811X04-001-1/1	X04 RG179	Gold	Nickel	Nickel		
4	1.0/2.3DIN50(SN)-PC-BT-3002	K319-004-000	CN3811X22-001-1/1	X22 BT3002	Gold	Nickel	Nickel		

### ● Right Angle Cable Plug(male)

For flexible cable  
Cable entry crimp

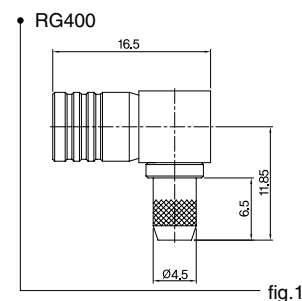


fig.1

Fig	Type	Code		Cable Goup (example)	Plating			AS-In	Note
		Old Code	New Code		Pin	Body	Coupling		
1	1.0/2.3DIN50(SN)-LPC-400	K319-113-000	CN3831X08-001-1/1	X08 RG400	Gold	Nickel	Nickel		

### 45° Angle Cable Plugs (male)

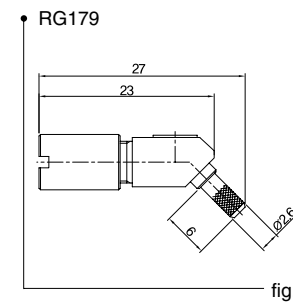


fig.1

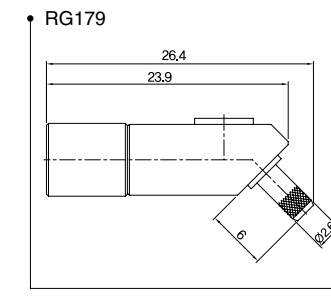


fig.2

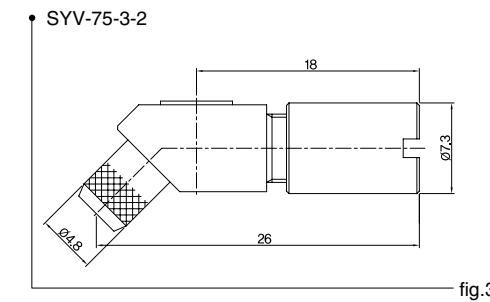


fig.3

Fig	Type	Code		Cable Goup (example)	Plating			AS-In	Note
		Old Code	New Code		Pin	Body	Coupling		
1	1.0/2.3DIN50(SL)45° PC-RG179	K319-089-000	CN3A15X04-001-1/1	X04 RG179	Gold	Nickel	Nickel		
2	1.0/2.3DIN50(SN)45° PC-RG179	K319-087-000	CN3815X04-001-1/1	X04 RG179	Gold	Nickel	Nickel		
3	1.0/2.3DIN50(SN)45° PC-SYV-75-3-2	K319-089-001	CN3A15X21-001-1/1	X21 SYV-75-3-2	Gold	Nickel	Nickel		

### ● Straight Bulkhead Cable Jack (female)

For flexible cable  
Cable entry crimp

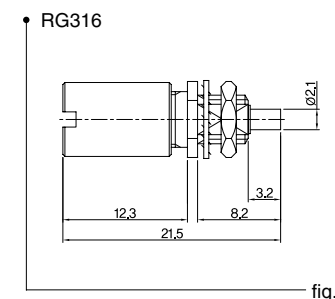


fig.1

Fig	Type	Code		Cable Goup (example)	Plating			AS-In	Note
		Old Code	New Code		Pin	Body	Coupling		
1	1.0/2.3DIN50-JC-316	K319-311-000	CN3A12X02-001-1/1	X02 RG316	Gold	Nickel	Nickel		

## Receptacle with Solder End

### ● Receptacle Bulk Plug (male)

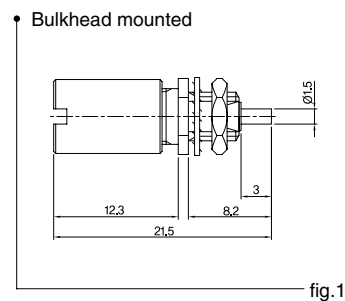


Fig	Type	Code		Plating			Mounting Hole	AS-In	Note
		Old Code	New Code	Pin	Body	Coupling			
1	1.0/2.3DIN50(SL)-P-BR	K319-560-000	CN3A23000-001-1/1	Gold	Nickel	Nickel	ML2		

### ● Receptacle Press Bulk Jack (female)

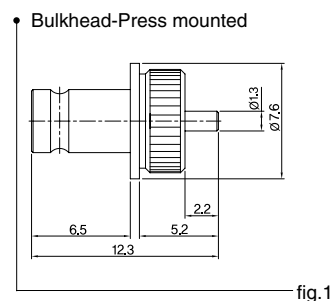


Fig	Type	Code		Plating		Mounting Hole	AS-In	Note
		Old Code	New Code	Pin	Body			
1	1.0/2.3DIN50(SN)-J-BR	K319-561-000	CN3826000-001-1/1	Gold	SUS	ML32		

## PCB Connector

### ● Straight PCB Jack (female)

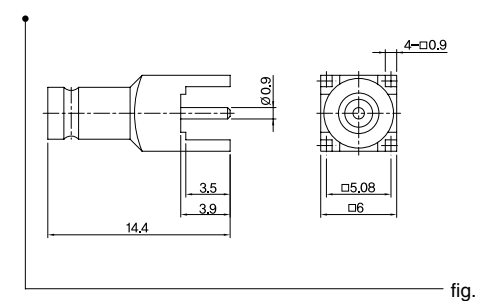


Fig	Type	Code		Plating		Mounting Hole	AS-In	Note
		Old Code	New Code	Pin	Body			
1	1.0/2.3DIN75(SN)-J-4R-R	K319-520-000	CN3851000-001-1/1	Gold	Nickel	ML33		

### ● Right Angle PCB Jack (female)

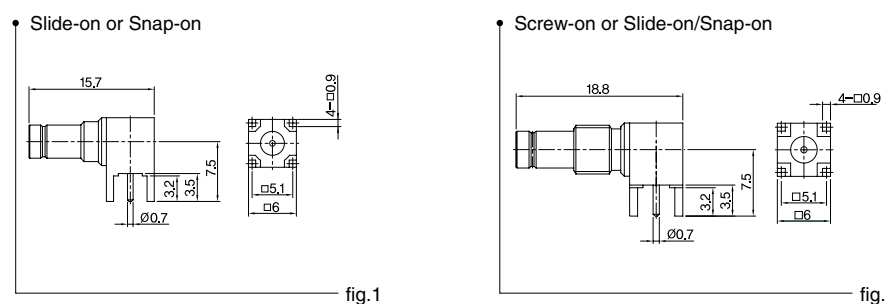
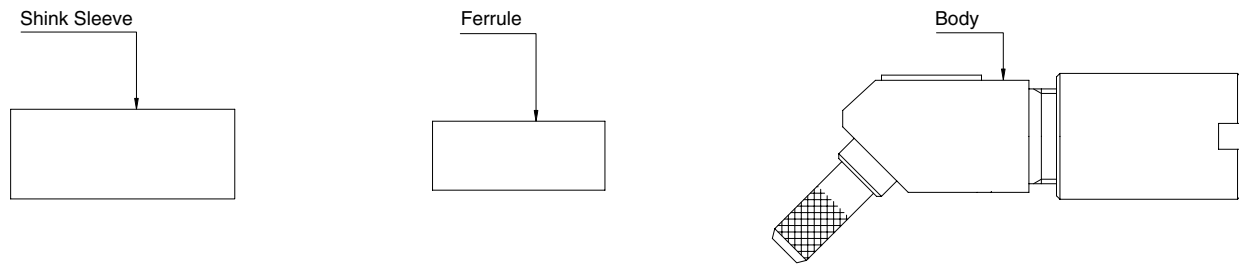


Fig	Type	Code		Plating		Mounting Hole	AS-In	Note
		Old Code	New Code	Pin	Body			
1	1.0/2.3DIN75(SN)-LJ-4R-R	K319-620-000	CN3853000-001-1/1	Gold	Gold	ML34		
2	1.0/2.3DIN75(SN)-LBJ-4R-R	K319-621-000	CN3854000-001-1/1	Gold	Gold			

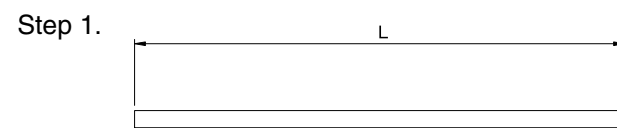
## ● STANDARD CRIMP



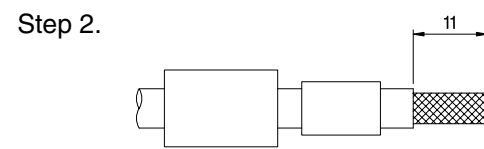
## ● CONNECTORS

· K319-089

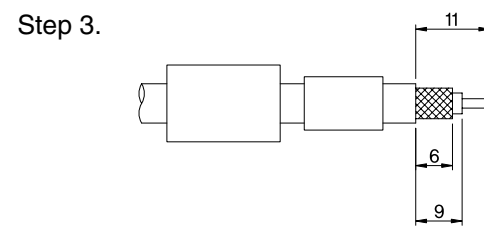
1. Cut the cable as much as required.



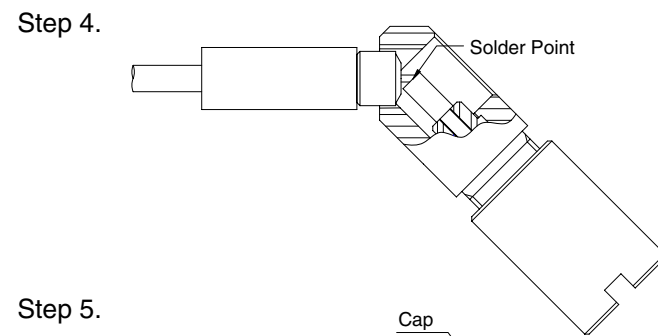
2. Insert the ferrule and the heat shrink sleeve into the cable and strip off the outer sheath.



3. Strip off the out conductor and the center conductor as shown in the diagram.



4. After preparing the center conductor to solder, insert the cable into the body, solder it and crimp it.



5. Close the cap and contract the shrink sleeve.

